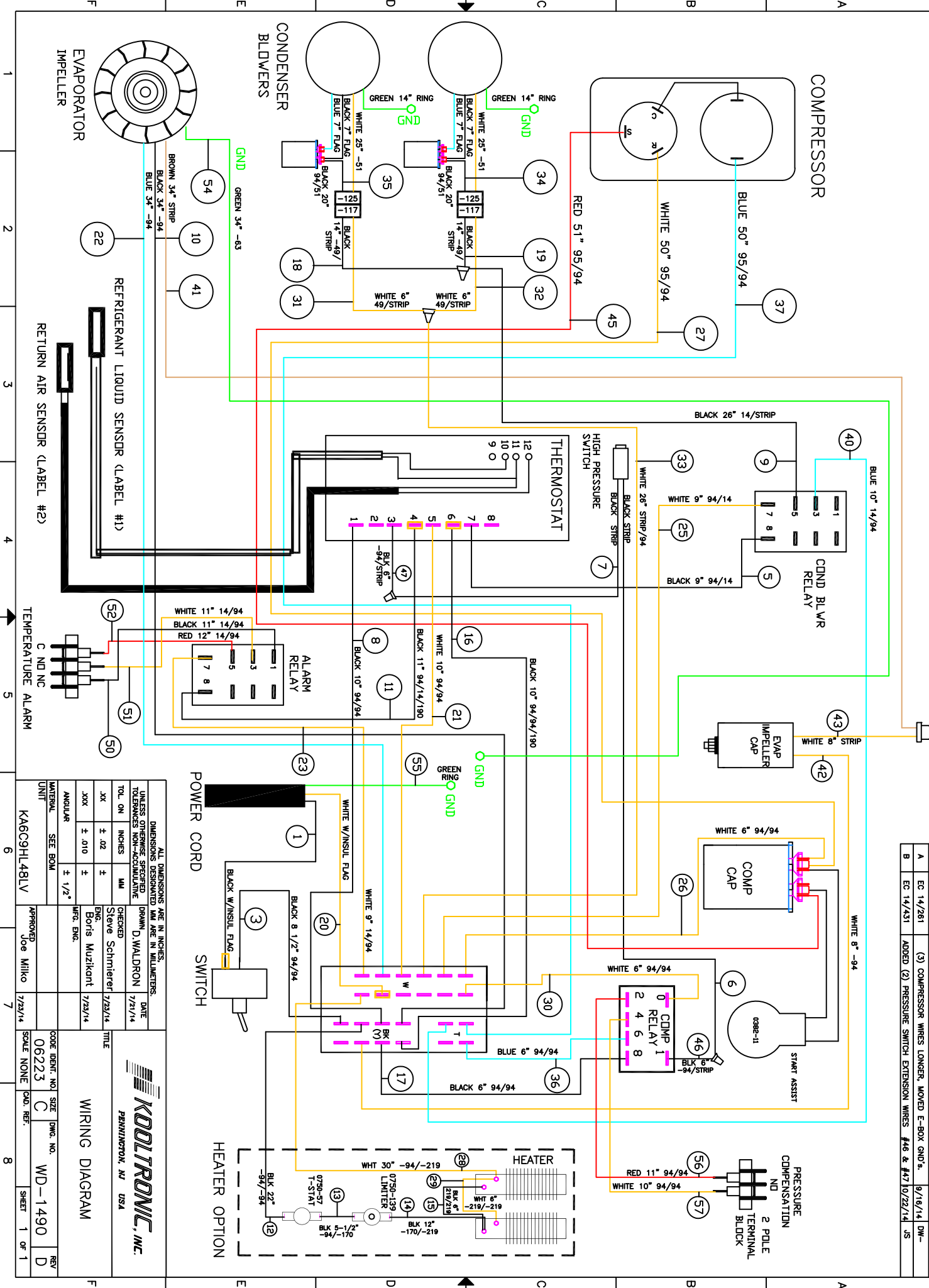


THIS DOCUMENT IS THE PROPERTY OF KOOLTRONIC, INC. AND CONTAINS PROPRIETARY AND CONFIDENTIAL INFORMATION WHICH MUST NOT BE DUPLICATED, USED OR DISCLOSED OTHER THAN AS EXPRESSLY AUTHORIZED BY KOOLTRONIC, INC.

C	EC 14/503 NAME CHANGE: TEMPERATURE ALARM WAS COOLING EFFECT DETECTOR	11/24/14	JS
D	EC 15/022 ADDED PRESSURE COMPENSATION TERMINAL, BLACK AND WIRES	3/23/15	JS

REV	DATE	APPROVED	DESCRIPTION
-	7/21/14	DW-	NEW DRAWING RELEASE
A	9/16/14	DW-	(3) COMPRESSOR WIRES LONGER, MOVED E-BOX GND'S.
B	10/22/14	JS	ADDED (2) PRESSURE SWITCH EXTENSION WIRES #46 & #47



**KOOLTRONIC, INC.**  
PERMININGTON, NJ USA

**WIRING DIAGRAM**

MATERIAL	SEE BOM
UNIT	KAGC9HL4BLV
APPROVED	Joe Milko 7/23/14
SCALE	NONE
CAD REF.	
CODE IDENT. NO.	06223
SIZE	C
DWG. NO.	WD-1490
REV	D
SHEET	1 OF 1

ALL DIMENSIONS ARE IN INCHES. DIMENSIONS DESIGNATED MM ARE IN MILLIMETERS. UNLESS OTHERWISE SPECIFIED TOLERANCES NON-ACCUMULATIVE

TOL. ON INCHES	MM	CHECKED	DATE
.XX	± .02	Steve Schriener	7/23/14
.XXX	± .010	Boris Muzikant	7/23/14
ANGULAR	± 1/2°	ENG. MFG. ENG.	