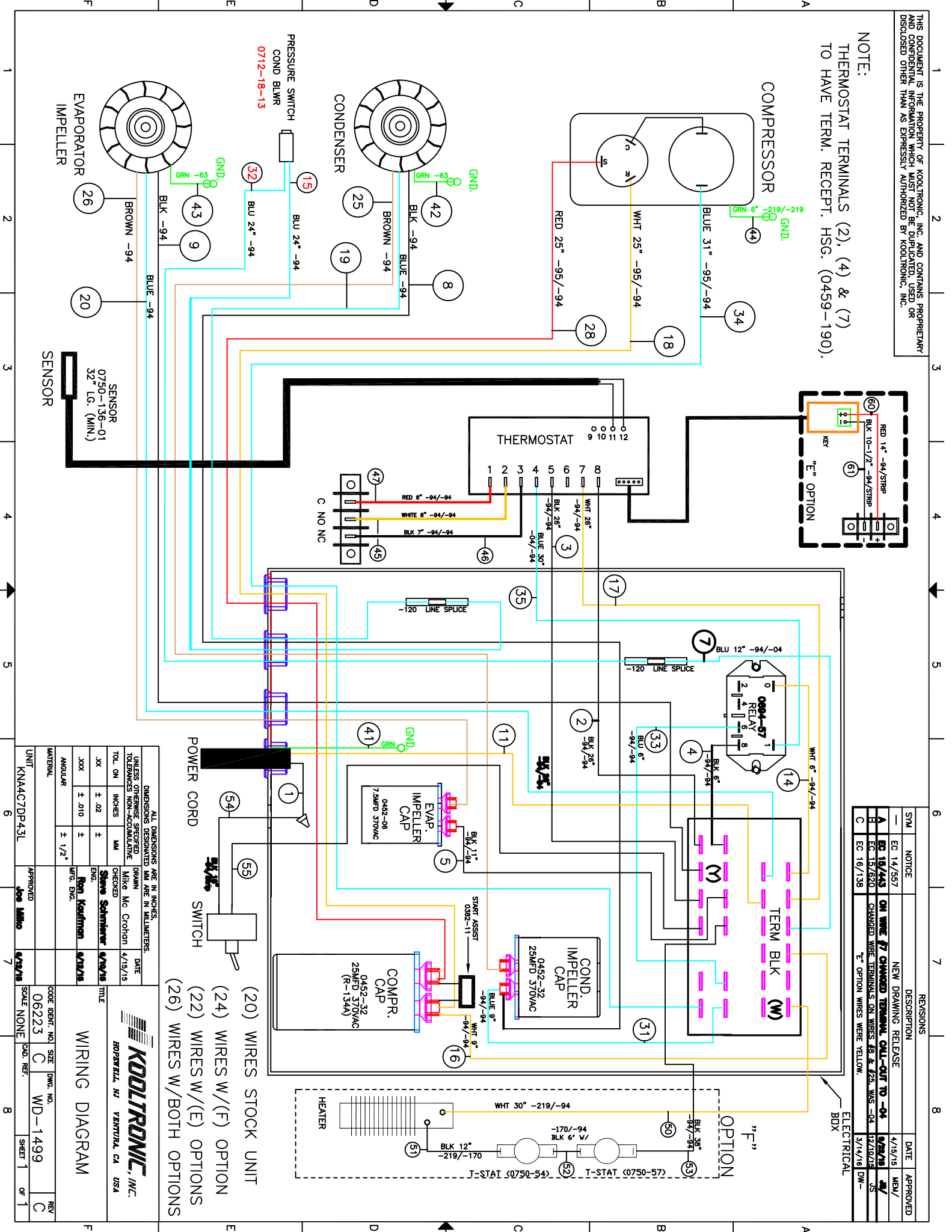


NOTE:
THERMOSTAT TERMINALS (2), (4) & (7)
TO HAVE TERM. RECEIPT. HSG. (0459-190).



SWM	NOTICE	DESCRIPTION	DATE	APPROVED
EC 14/5/57		NEW DRAWING RELEASE	4/15/15	MEM/
A EC 15/4/43	ON WIRE 77 CHANGED TERMINAL CALL-OUT TO -04		6/22/15	4/
B EC 15/5/20	CHANGED WIRE TERMINALS ON WIRES 48 & 235. WKS -04		12/02/15	JS
C EC 16/1/38	"E" OPTION WIRES WERE YELLOW.		3/14/18	DW-

DIMENSIONS DESIGNATED MM ARE IN MILLIMETERS.		UNLESS OTHERWISE SPECIFIED DRAWING TOLERANCES NON-ACCUMULATIVE		DATE	
TOL. ON INCHES	MM	CHECKED	ENG.	DATE	
.XX	± .02	Steve Schmeiner	4/15/15		
.XXX	± .010	Ron Kaufman	4/15/15		
ANGULAR	± 1/2°	MFG. ENG.			

UNIT	KNAAC7DP43L	APPROVED	Joe Marino	4/15/15	
SCALE	NONE	CODE IDENT. NO.	06223	DWG. NO.	WD-1499
SHEET	1	REV	C	OF	1

WIRING DIAGRAM

(20) WIRES STOCK UNIT
 (24) WIRES W/(F) OPTION
 (22) WIRES W/(E) OPTIONS
 (26) WIRES W/BOTH OPTIONS

