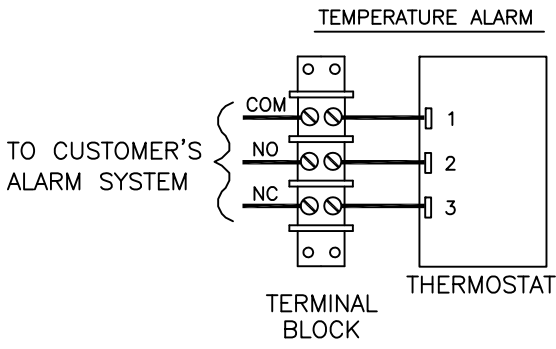
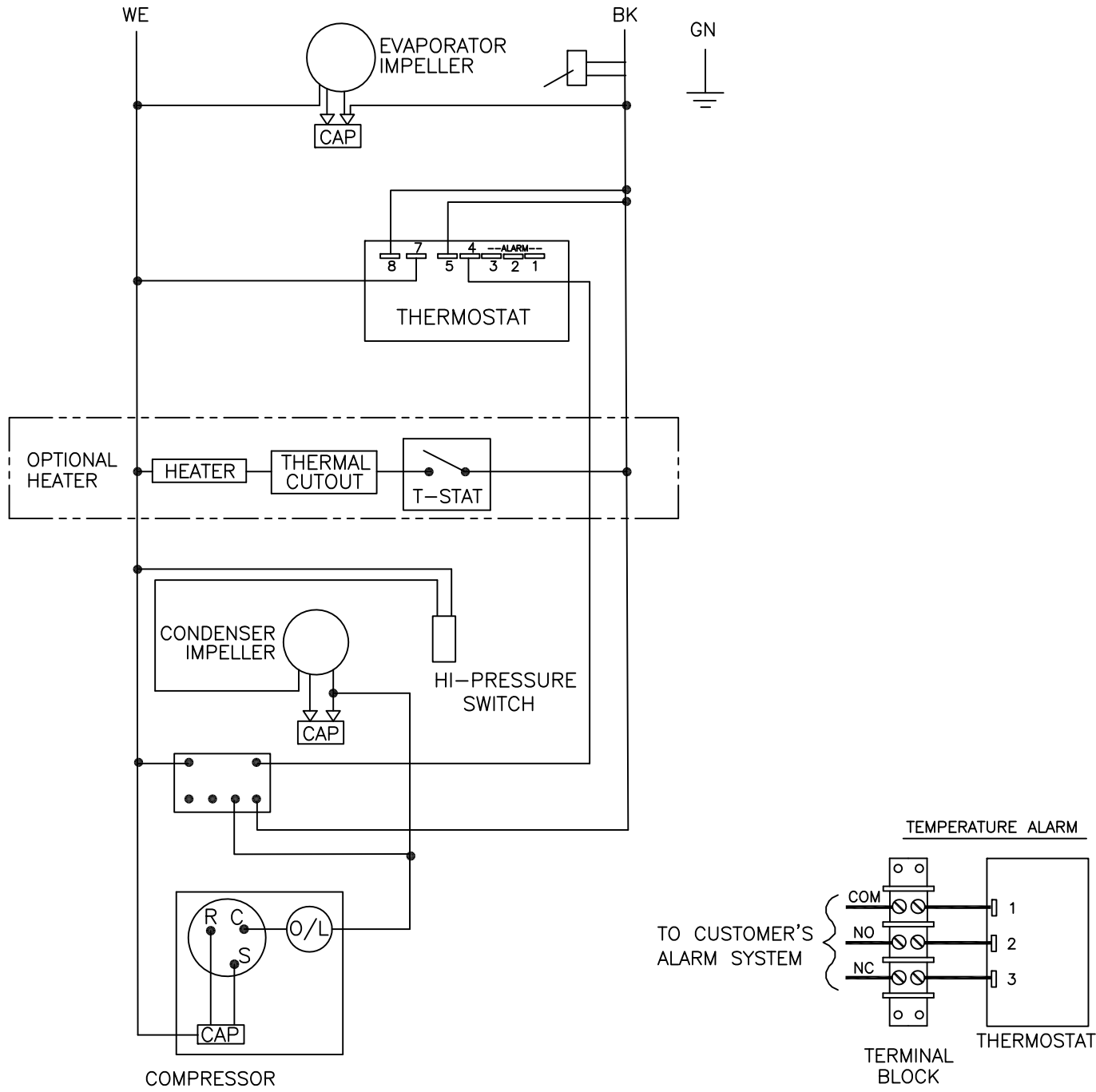



THIS DOCUMENT IS THE PROPERTY OF KOOLTRONIC, INC. AND CONTAINS PROPRIETARY AND CONFIDENTIAL INFORMATION WHICH MUST NOT BE DUPLICATED, USED OR DISCLOSED TO OTHERS, EXCEPT AS EXPRESSLY AUTHORIZED IN WRITING BY KOOLTRONIC, INC.

REVISIONS				
SYM	NOTICE	DESCRIPTION	DATE	APPROVED
-	EC 14/557	NEW DRAWING RELEASE	5/18/05	MEM/



UNLESS OTHERWISE SPECIFIED TOLERANCES NON-ACCUMULATIVE			DRAWN Mike Mc Crohan CHECKED Steve Schmierer ENG. Ron Kaufman MFG. ENG.	DATE 4/13/15 6/10/15 6/12/15
TOL. ON	INCHES	MM		
.XX	± .02	±		
.XXX	± .010	±		
ANGULAR		± 1/2°		
MATERIAL				
UNITS DP43L & DP47L			APPROVED Joe Milko	6/12/15



HOPEWELL, NJ VENTURA, CA USA

WIRING DIAGRAM

CODE IDENT. NO.	SIZE	DWG. NO.	REV
06223	A	WD-1500	-
SCALE	CAD. REF.	SHEET	1 OF 1
N/A	WD-1500		