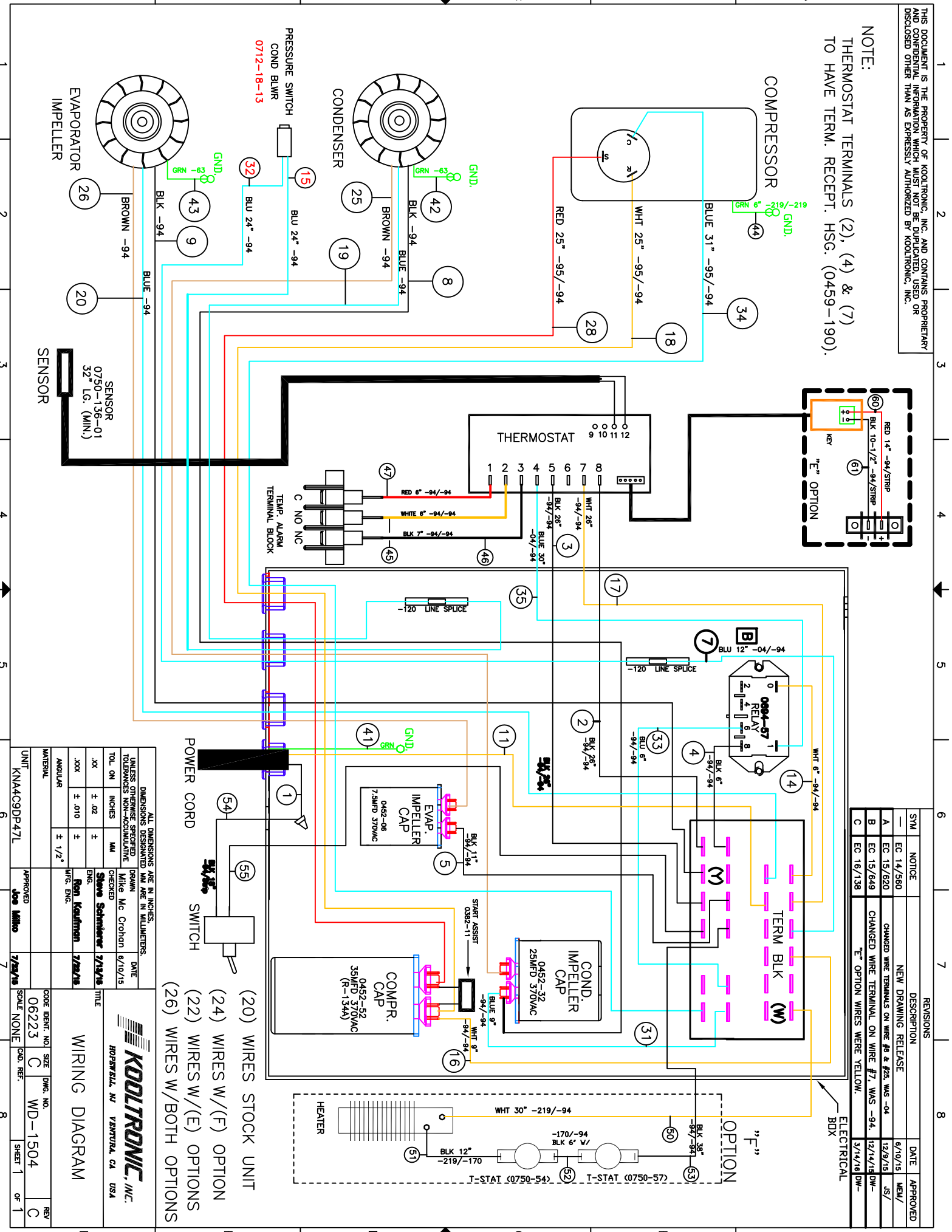


NOTE:  
THERMOSTAT TERMINALS (2), (4) & (7)  
TO HAVE TERM. RECEIPT. HSG. (0459-190).



SWM	NOTICE	REVISIONS	DATE	APPROVED
-	EC 14/560	NEW DRAWING RELEASE	6/10/15	MEM/
A	EC 15/620	CHANGED WIRE TERMINALS ON WIRE #8 & #25. WAS -04	12/9/15	J.S./
B	EC 15/648	CHANGED WIRE TERMINAL ON WIRE #7. WAS -94. 12/14/15 DW-	12/14/15	DW-
C	EC 16/138	"E" OPTION WIRES WERE YELLOW.	3/14/16	DW-

- (20) WIRES STOCK UNIT
- (24) WIRES W/(F) OPTION
- (22) WIRES W/(E) OPTIONS
- (26) WIRES W/BOTH OPTIONS

UNLESS OTHERWISE SPECIFIED DIMENSIONS DESIGNATED MM ARE IN MILLIMETERS. TOLERANCES NON-COMMUNAL		DRAWN Mike Mc Crohon		DATE 6/10/15	
TOL. ON INCHES	MM	CHECKED Steve Schmeiner	7/15/15	TITLE WIRING DIAGRAM	
XX ± .02	±	ENG. Ron Kaufman	7/22/15	CODE IDENT. NO. SIZE DWG. NO. 06223 C WD-1504	
XXX ± .010	±	MFG. ENG.		REV C	
ANGULAR ± 1/2°				SCALE NONE	
UNIT KNAAC9DP47L	APPROVED Joe Milano	7/22/15	SHEET 1 OF 1		

