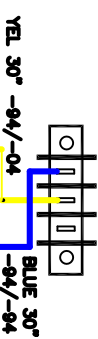
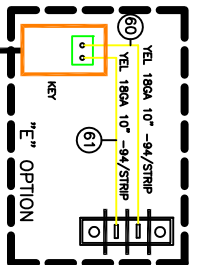
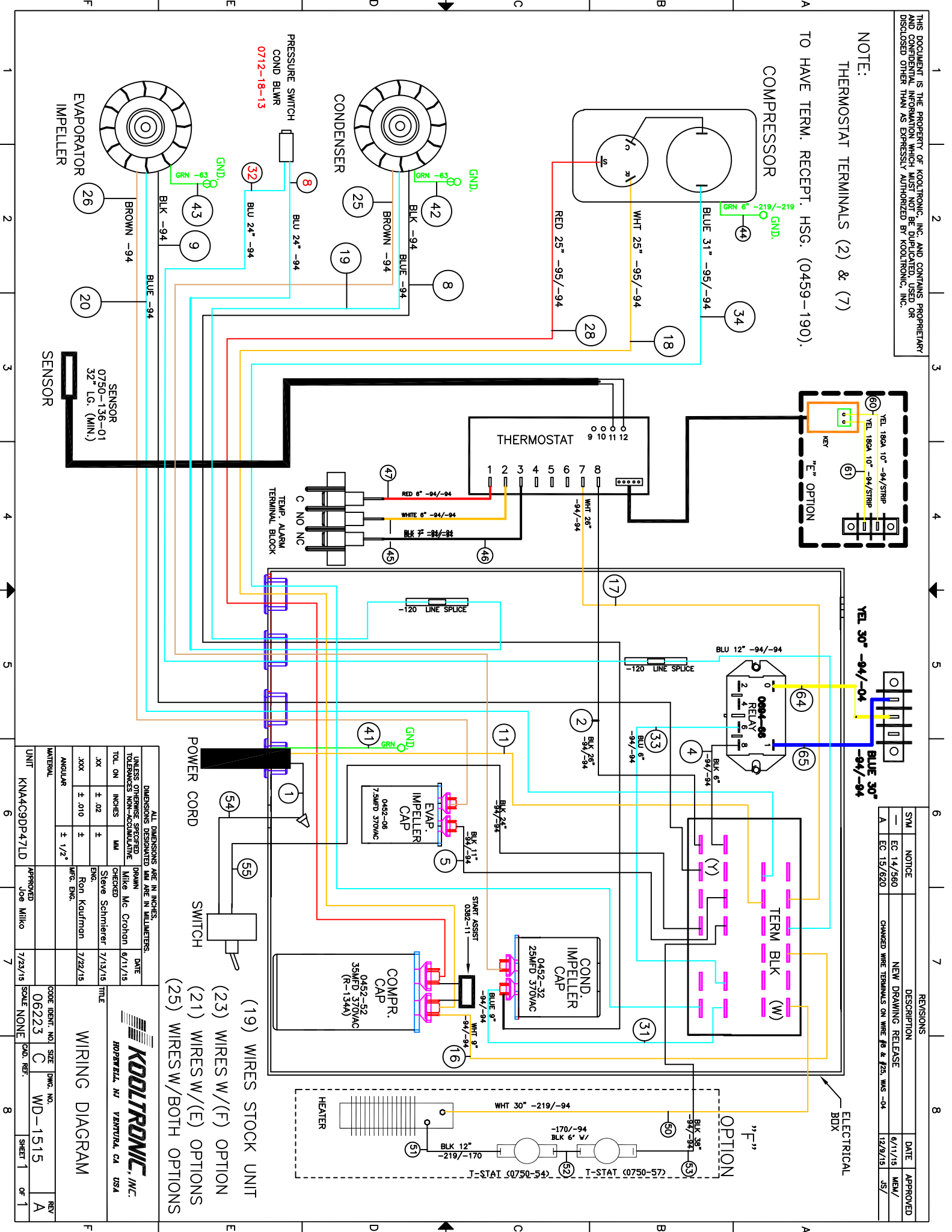


THIS DOCUMENT IS THE PROPERTY OF KOOLTRONIC, INC. AND CONTAINS PROPRIETARY AND CONFIDENTIAL INFORMATION WHICH MUST NOT BE DUPLICATED, USED OR DISCLOSED OTHER THAN AS EXPRESSLY AUTHORIZED BY KOOLTRONIC, INC.

NOTE:
THERMOSTAT TERMINALS (2) & (7)
TO HAVE TERM. RECEPT. HSG. (0459-190).



SWM	NOTICE	REVISIONS	DESCRIPTION	DATE	APPROVED
-	EC 14/560		NEW DRAWING RELEASE	6/11/15	MM/
A	EC 15/620		CHANGED WIRE TERMINALS ON WIRE #8 & #25. WAS -04	12/9/15	JS/

- (19) WIRES STOCK UNIT
- (23) WIRES W/(F) OPTION
- (21) WIRES W/(E) OPTIONS
- (25) WIRES W/BOTH OPTIONS

DIMENSIONS DESIGNATED MM ARE IN MILLIMETERS.		UNLESS OTHERWISE SPECIFIED DRAWING TOLERANCES NON-COMPLIANT		DATE	
TOL. ON INCHES	MM	DRAWN	CHECKED	ENG.	DATE
XX	± .02	Mike Mc Crohon	Steve Schriener	Ron Kaufman	7/13/15
XXX	± .010				7/22/15
ANGULAR	± 1/2°				

KOOLTRONIC, INC.
ROPERVILLE, NJ VERMONT, CA USA

WIRING DIAGRAM

UNIT	APPROVED	DATE	SCALE	SHEET	OF
KNA4C9DDP47LD	Joe Milko	7/23/15	NONE	1	1

CODE IDENT. NO.	SIZE	DWG. NO.	REV
06223	C	WD-1515	A