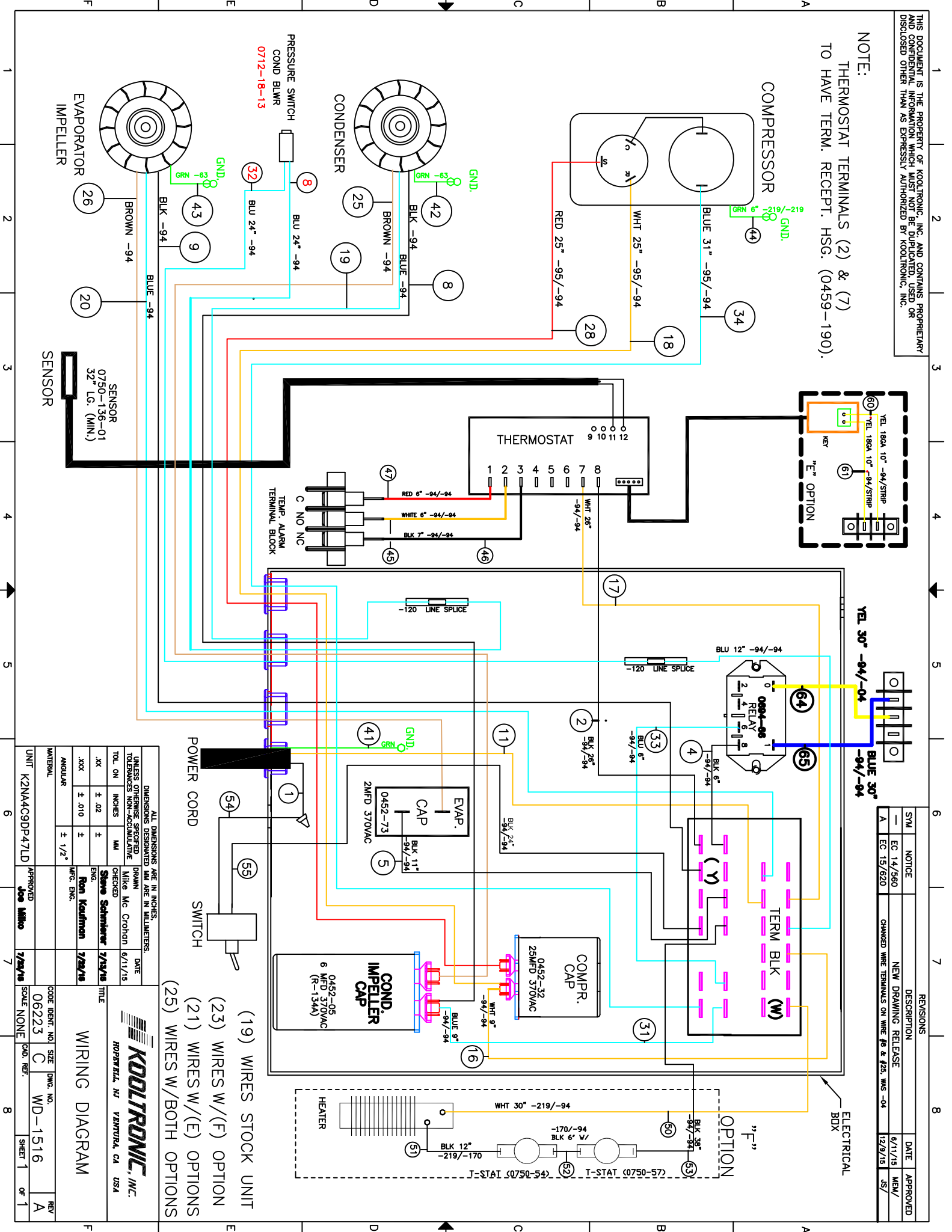


THIS DOCUMENT IS THE PROPERTY OF KOOLTRONIC, INC. AND CONTAINS PROPRIETARY AND CONFIDENTIAL INFORMATION WHICH MUST NOT BE DUPLICATED, USED OR DISCLOSED OTHER THAN AS EXPRESSLY AUTHORIZED BY KOOLTRONIC, INC.

NOTE:
THERMOSTAT TERMINALS (2) & (7)
TO HAVE TERM. RECEPT. HSG. (0459-190).



REVISIONS		DESCRIPTION	DATE	APPROVED
SWM	NOTICE	NEW DRAWING RELEASE	6/11/15	MEM/J
EC	14/560	CHANGED WIRE TERMINALS ON WIRE #9 & #25. WAS -04	12/9/15	J/S
A	EC 15/620			

- (19) WIRES STOCK UNIT
- (23) WIRES W/(F) OPTION
- (21) WIRES W/(E) OPTIONS
- (25) WIRES W/BOTH OPTIONS

<p>ALL DIMENSIONS ARE IN INCHES. DIMENSIONS DESIGNATED MM ARE IN MILLIMETERS. UNLESS OTHERWISE SPECIFIED DRAWING TOLERANCES NON-ACCUMULATIVE</p>		<p>DATE 6/11/15</p>
TOL. ON INCHES	MM	CHECKED Steve Schmeider 7/23/15
XX ± .02	±	ENG. Ron Kaufman 7/22/15
XXX ± .010	±	WFO. ENG.
ANGULAR ± 1/2°		
<p>MATERIAL</p>		<p>CODE IDENT. NO. SIZE DWG. NO. REV</p>
<p>UNIT K2NA4C9DDP47LD</p>		<p>06223 C WD-1516 A</p>
<p>APPROVED Joe Milio 7/22/15</p>		<p>SCALE NONE</p>
<p>SHEET 1 OF 1</p>		

KOOLTRONIC, INC.
ROPERVILLE, NJ VENTURA, CA USA

WIRING DIAGRAM