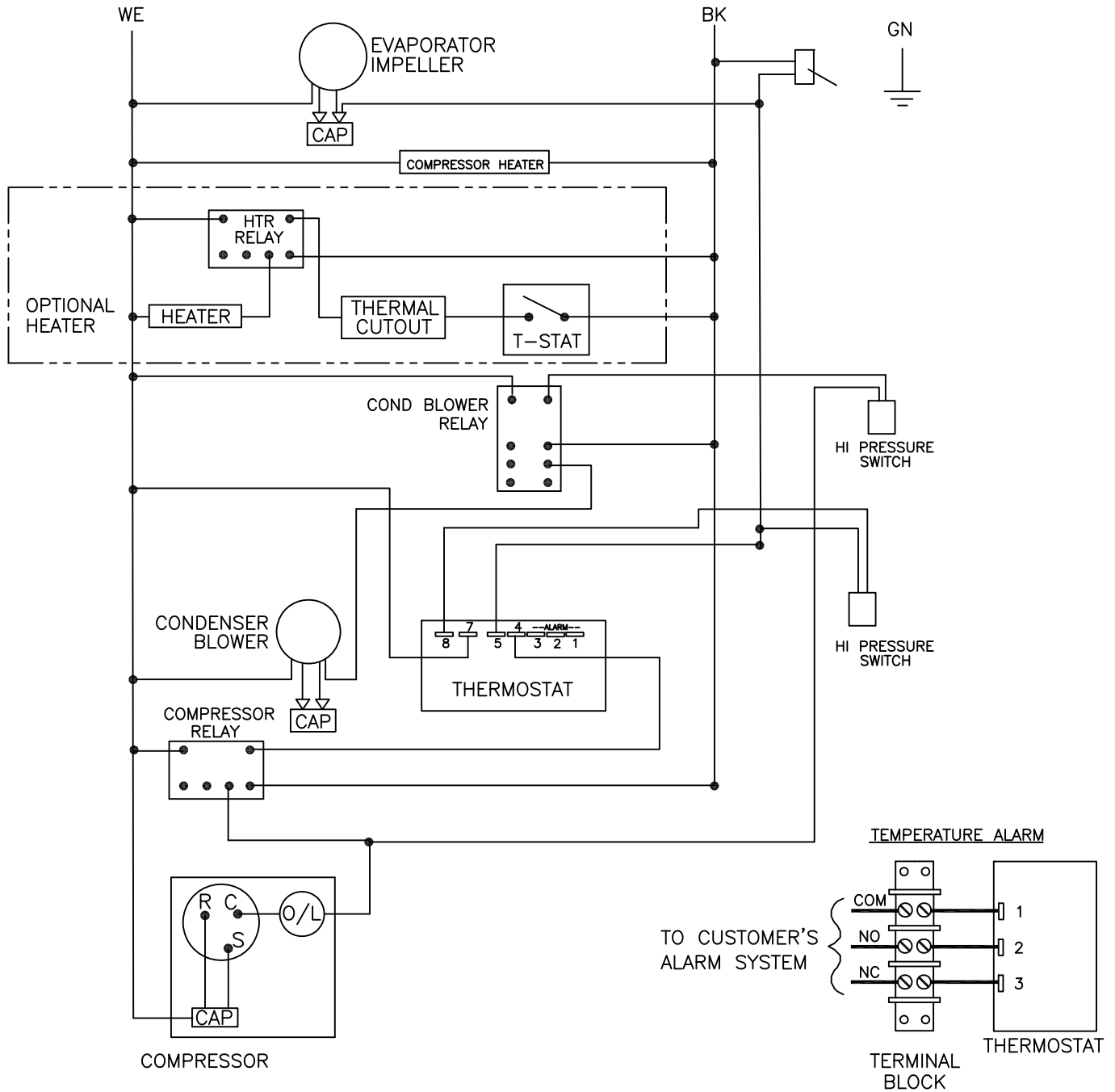


THIS DOCUMENT IS THE PROPERTY OF KOOLTRONIC, INC. AND CONTAINS PROPRIETARY AND CONFIDENTIAL INFORMATION WHICH MUST NOT BE DUPLICATED, USED OR DISCLOSED TO OTHERS, EXCEPT AS EXPRESSLY AUTHORIZED IN WRITING BY KOOLTRONIC, INC.

REVISIONS

SYM	NOTICE	DESCRIPTION	DATE	APPROVED
-	EC 15/033	NEW DRAWING RELEASE	7/21/15	JS
A	EC 15/531	ADDED RELAY FOR HEATER OPITON	10/29/15	JS



ALL DIMENSIONS ARE IN INCHES,
DIMENSIONS DESIGNATED MM ARE IN MILLIMETERS.

UNLESS OTHERWISE SPECIFIED
TOLERANCES NON-ACCUMULATIVE

TOL. ON	INCHES	MM
.XX	± .02	±
.XXX	± .010	±
ANGULAR		± 1/2°

DRAWN	DATE
JERRY STEDNICK	7/21/15
CHECKED Mike Mc Crohan	7/27/15
ENG. RON KAUFMAN	9/21/15
MFG. ENG.	



WIRING DIAGRAM

MATERIAL	APPROVED Joe Milko	DATE 9/21/15
UNITS DP60L, DP53L & DP50L		

CODE IDENT. NO. 06223	SIZE A	DWG. NO. WD-1525	REV A
SCALE N/A	CAD. REF.	SHEET 1 OF 1	