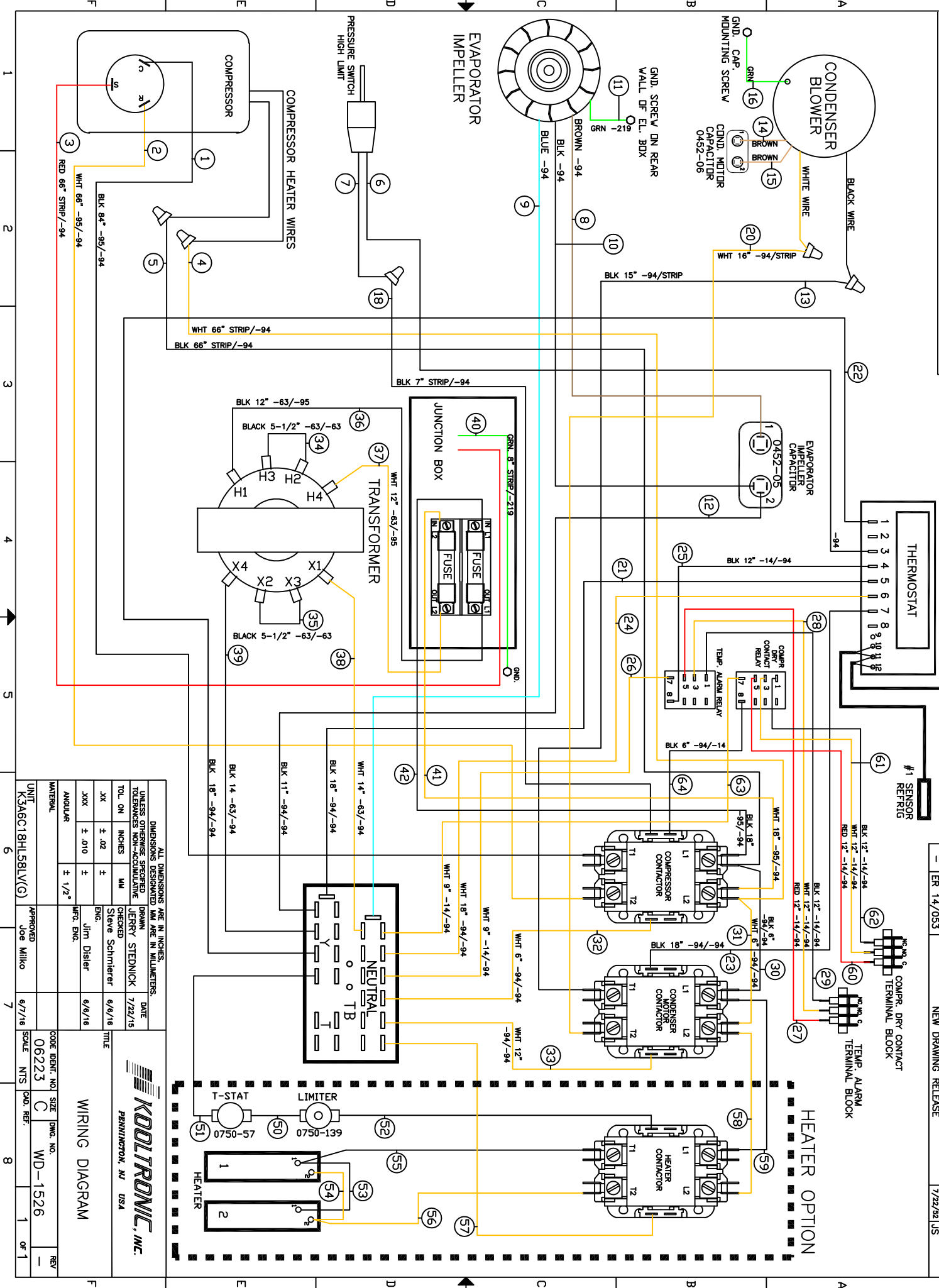


THIS DOCUMENT IS THE PROPERTY OF KOOLTRONIC, INC. AND CONTAINS PROPRIETARY AND CONFIDENTIAL INFORMATION WHICH MUST NOT BE DUPLICATED, USED OR DISCLOSED OTHER THAN AS EXPRESSLY AUTHORIZED BY KOOLTRONIC, INC.

NOTE: #4 & #6 T-STAT TERMINALS GET 0459-190 TERM. HOUSING COVERS

REV	DATE	APPROVED
1	7/22/92	J.S.



UNIT	APPROVED	DATE	SCALE	REV
K3A6C18HL58LV(G)	Joe Milko	6/7/16	NIS	1

UNIT	APPROVED	DATE	SCALE	REV
K3A6C18HL58LV(G)	Joe Milko	6/7/16	NIS	1

**KOOLTRONIC, INC.**  
 PERMININGTON, NJ USA

**WIRING DIAGRAM**

CODE IDENT. NO. 06223  
 SIZE C  
 DWG. NO. WD-1526  
 SCALE NIS  
 CAD REF. 1