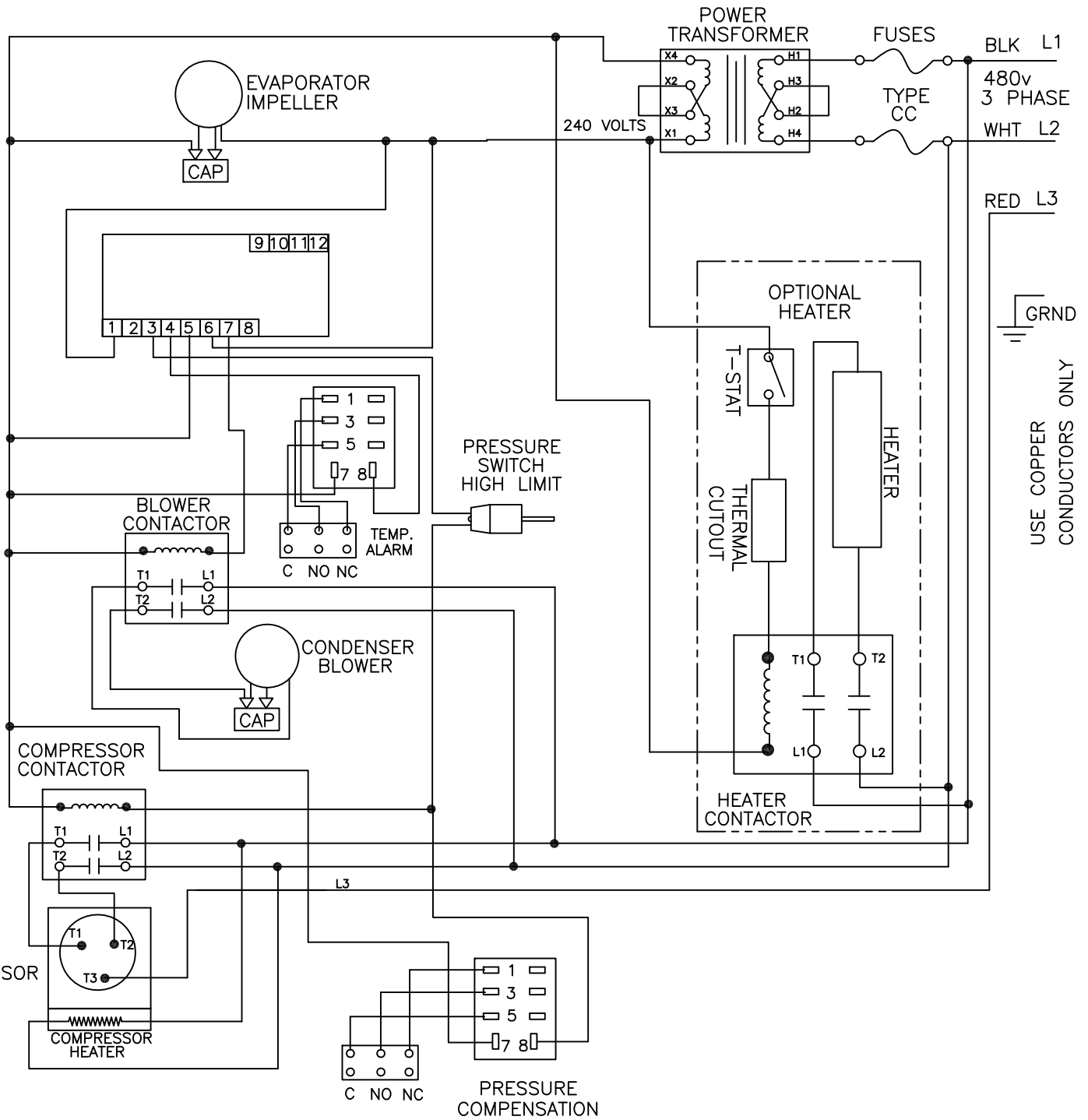


THIS DOCUMENT IS THE PROPERTY OF KOOLTRONIC, INC. AND CONTAINS PROPRIETARY AND CONFIDENTIAL INFORMATION WHICH MUST NOT BE DUPLICATED, USED OR DISCLOSED TO OTHERS, EXCEPT AS EXPRESSLY AUTHORIZED IN WRITING BY KOOLTRONIC, INC.

REVISIONS

SYM	NOTICE	DESCRIPTION	DATE	APPROVED
-	ER 14/053	NEW DRAWING RELEASE	7/29/15	JS



USE COPPER CONDUCTORS ONLY

ALL DIMENSIONS ARE IN INCHES,
DIMENSIONS DESIGNATED MM ARE IN MILLIMETERS.

UNLESS OTHERWISE SPECIFIED
TOLERANCES NON-ACCUMULATIVE

TOL. ON	INCHES	MM
.XX	± .02	±
.XXX	± .010	±
ANGULAR		± 1/2°

DRAWN	DATE
JERRY STEDNICK	7/29/15
CHECKED Steve Schmierer	6/6/16
ENG. Jim Disler	6/6/16
MFG. ENG.	



WIRING DIAGRAM

MATERIAL	UNITS	APPROVED	DATE	CODE IDENT. NO.	SIZE	DWG. NO.	REV
K3A6C18HL58LV		Joe Milko	6/7/16	06223	A	WD-1528	-
				SCALE	CAD. REF.	SHEET	1 OF 1
				N/A	WD-1528		