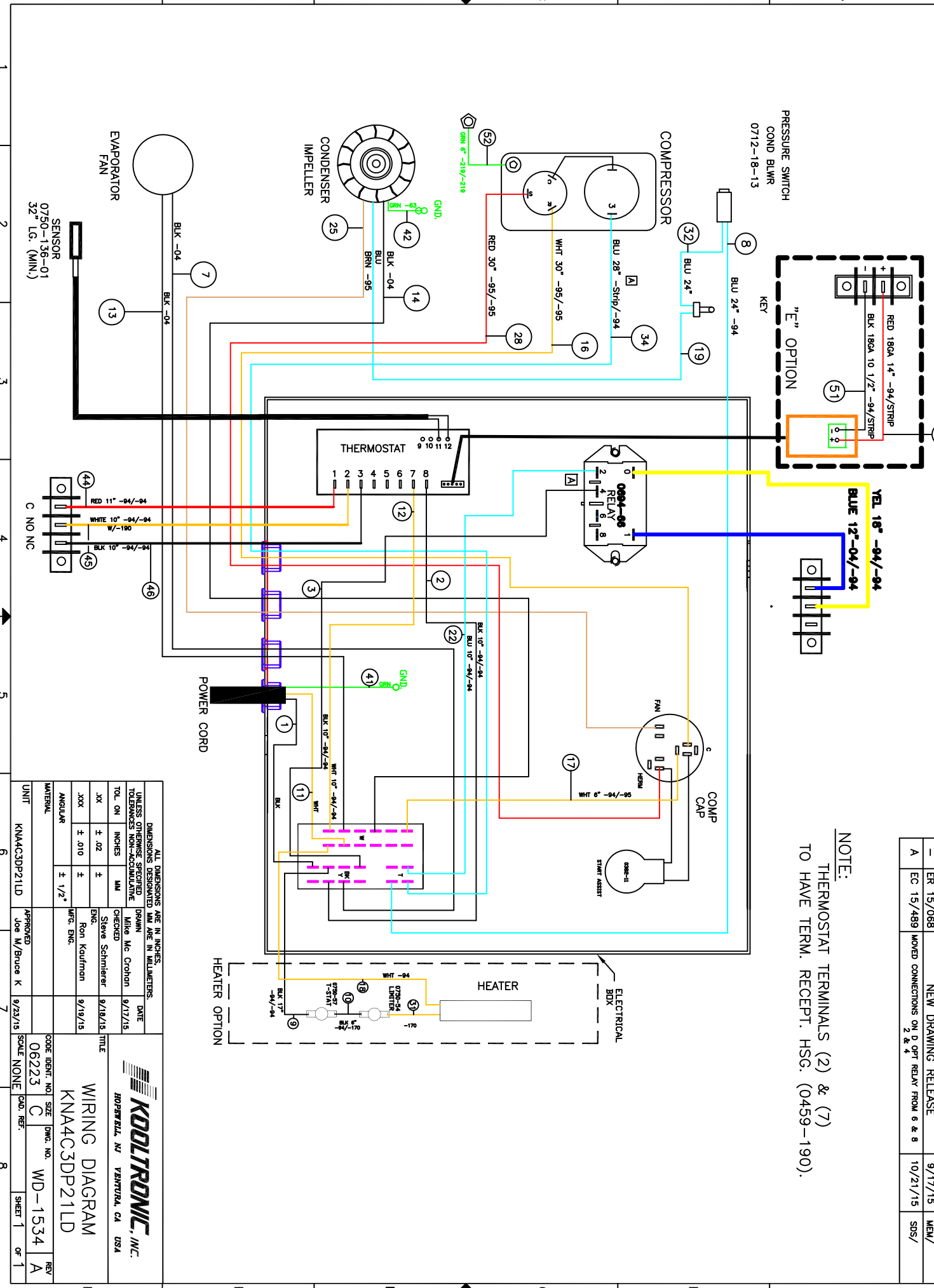


THIS DOCUMENT IS THE PROPERTY OF KOOLTRONIC, INC. AND CONTAINS PROPRIETARY AND CONFIDENTIAL INFORMATION WHICH MUST NOT BE DUPLICATED, USED OR DISCLOSED OTHER THAN AS EXPRESSLY AUTHORIZED BY KOOLTRONIC, INC.



REVISIONS			
SYM	NOTICE	DESCRIPTION	DATE
-	ER 15/068	NEW DRAWING RELEASE	9/17/15
A	EC 15/489	MOVED CONNECTIONS ON P. 6 & 8	10/21/15
			SOS/

NOTE:
THERMOSTAT TERMINALS (2) & (7)
TO HAVE TERM. RECEIPT. HSG. (0459-190).

ALL DIMENSIONS ARE IN INCHES. DIMENSIONS DESIGNATED MM ARE IN MILLIMETERS. UNLESS OTHERWISE SPECIFIED TOLERANCES NON-ACCUMULATIVE		DATE
TOL. ON INCHES	MM	9/17/15
.XX ± .02	±	Steve Schmieler
.XXX ± .010	±	Checked
ANGULAR	± 1/2°	ENG. Ron Kaufman
		MFG. ENG. 9/19/15
APPROVED	APPROVED	TITLE
Joe M/Bruce K	Joe M/Bruce K	WIRING DIAGRAM
9/23/15	9/23/15	KNA4C3DP21LD
SCALE NONE	SCALE NONE	CODE IDENT. NO. 06223
		SIZE C
		DWG. NO. WD-1534
		REV. A
		SHEET 1 OF 1

KOOLTRONIC, INC.
ROPERVILLE, NJ VENTURA, CA USA