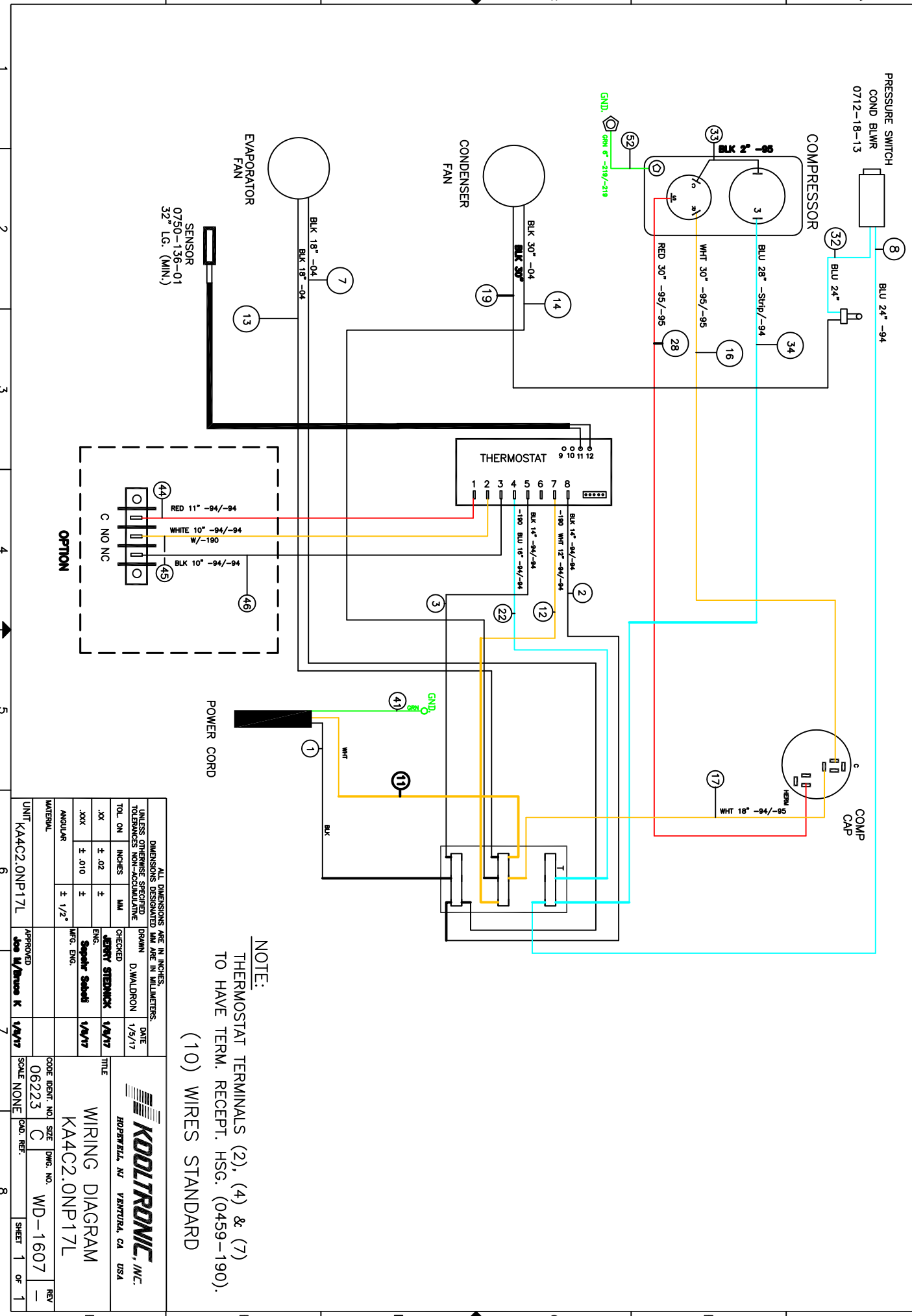


THIS DOCUMENT IS THE PROPERTY OF KOOLTRONIC, INC. AND CONTAINS PROPRIETARY AND CONFIDENTIAL INFORMATION WHICH MUST NOT BE DUPLICATED, USED OR DISCLOSED OTHER THAN AS EXPRESSLY AUTHORIZED BY KOOLTRONIC, INC.

REVISIONS		DATE	APPROVED
SYM	NOTICE	DESCRIPTION	
-	EC 16/667	NEW DRAWING RELEASE.	1/5/17 DW-



NOTE:  
 THERMOSTAT TERMINALS (2), (4) & (7)  
 TO HAVE TERM. RECEPT. HSG. (0459-190).  
 (10) WIRES STANDARD

DIMENSIONS DESIGNATED MM ARE IN MILLIMETERS.		DATE	
UNLESS OTHERWISE SPECIFIED		DRAWN	
TOLERANCES NON-ACCUMULATIVE		D. WALDRON	
TOL. ON INCHES	MM	1/5/17	
.XX ± .02	±	CHECKED	JERRY STEINWICK
.XXX ± .010	±	ENG.	Seppie Sabell
ANGULAR	± 1/2°	MFG. ENG.	
MATERIAL		APPROVED	Joe V. Bruce K
UNIT	KA4C2.0NP17L	1/5/17	
CODE IDENT. NO.	06223	SCALE	NONE
SIZE	C	DWG. NO.	WD-1607
CAD. REF.		REV	-
SHEET	1	OF	1

