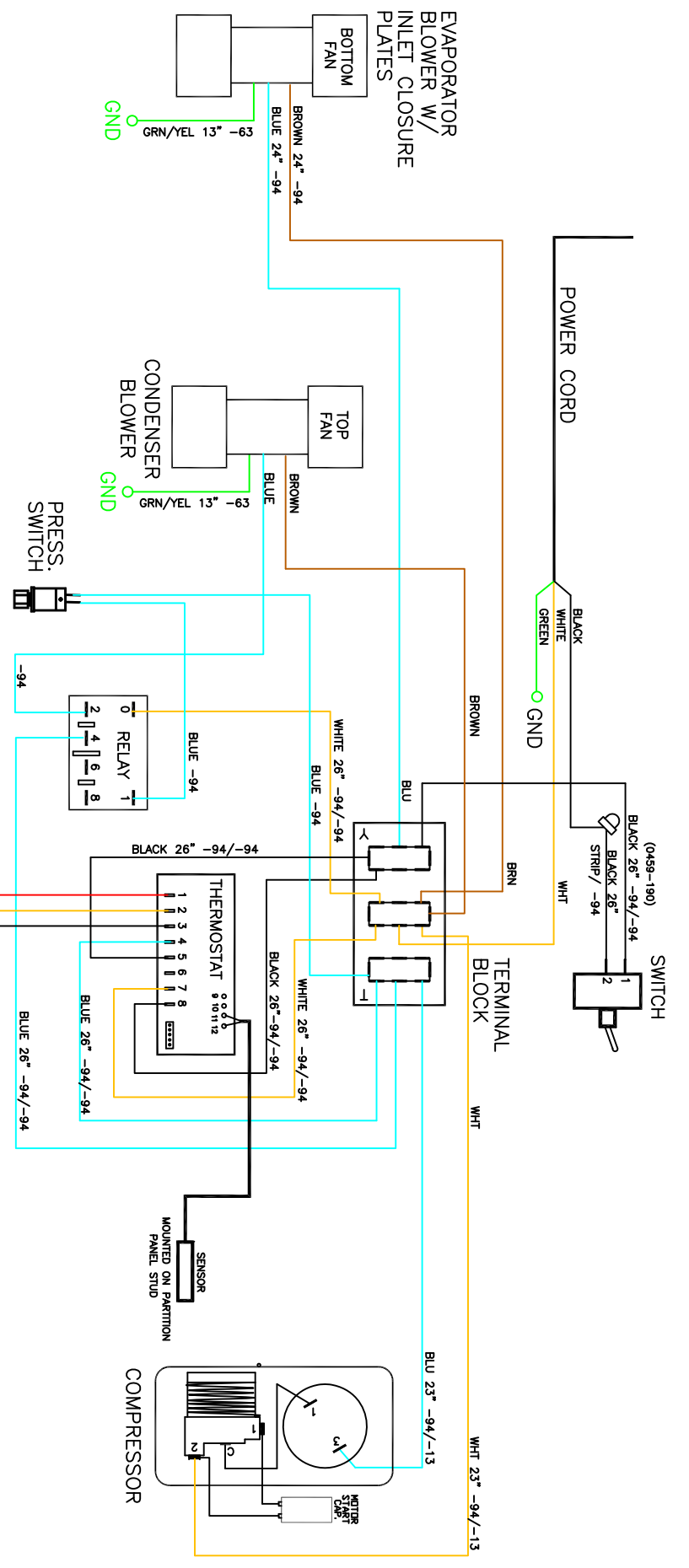


THIS DOCUMENT IS THE PROPERTY OF KOOLTRONIC, INC. AND CONTAINS PROPRIETARY AND CONFIDENTIAL INFORMATION WHICH MUST NOT BE DUPLICATED, USED OR DISCLOSED TO OTHERS, EXCEPT AS EXPRESSLY AUTHORIZED IN WRITING BY KOOLTRONIC, INC.

REVISIONS				
SYM	NOTICE	DESCRIPTION	DATE	APPROVED
-	EC 17/007	NEW DRAWING RELEASE	2/7/17	JS/SDS
A	EC 18/032	CHANGED WIRE POSITIONS ON TERMINAL BLOCK	1/30/18	JS/SDS



13 WIRES



**WIRING DIAGRAM  
AIR CONDITIONER**

DIMENSIONS DESIGNED MM ARE IN MILLIMETERS. DATE			
TOLERANCES UNLESS OTHERWISE SPECIFIED	DIAM	DRWN	DATE
TOL. ON INCHES	MM	CHECKED	1/31/17
.XX	± .02	ENG.	2/14/17
.XXX	± .010	SEPEHR SABETI	3/10/17
ANGULAR	± 1/2°	MFR. ENG.	
MATERIAL			
UNIT	K_A4C4HTL	APPROVED	10/9/17
		Bruce Kreeley	
CODE	ISSRT. NO.	SIZE	DRWG. NO.
06223	B	B	WD-1612
SCALE	NONE	CAD. REF.	
			SHEET 1 OF 1

F 1 2 3 4 5 6 7 8  
E  
D  
C  
B  
A