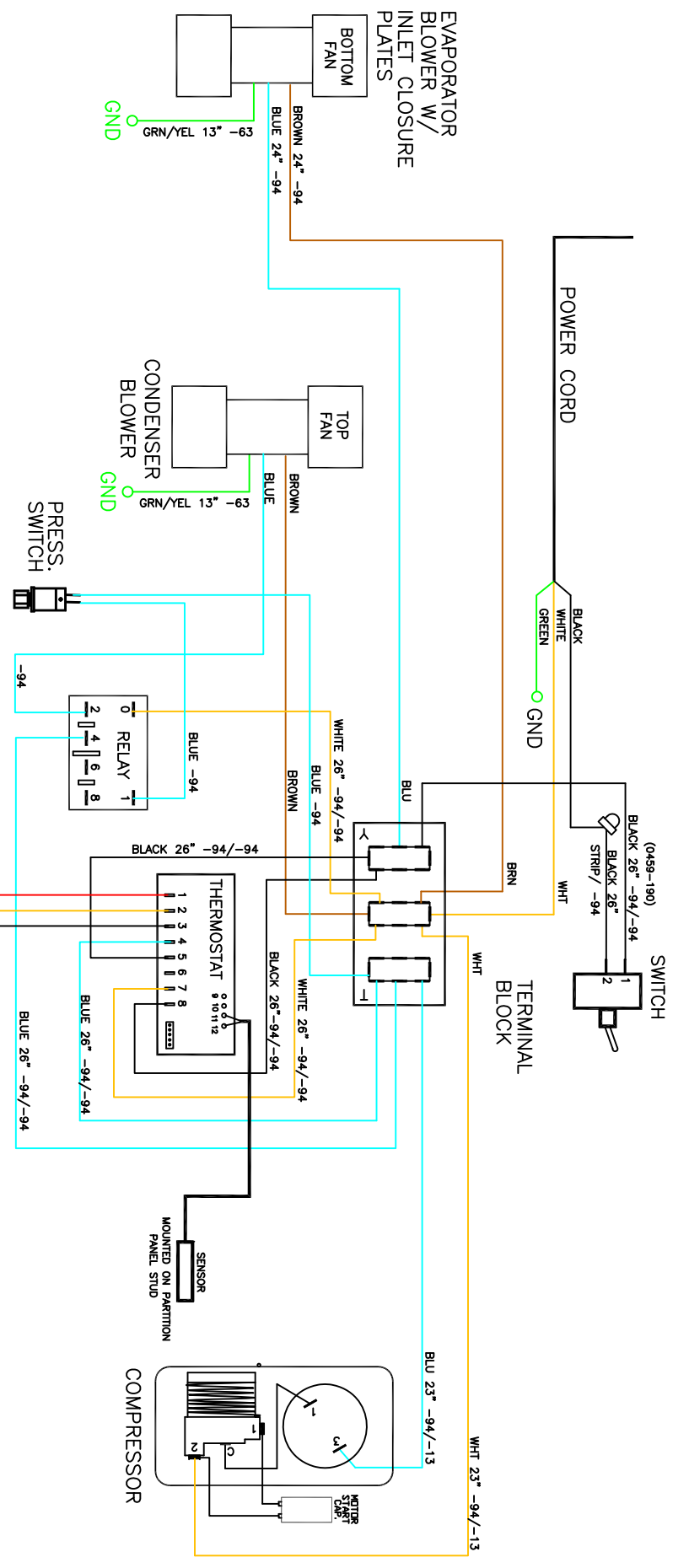


THIS DOCUMENT IS THE PROPERTY OF KOOLTRONIC, INC. AND CONTAINS PROPRIETARY AND CONFIDENTIAL INFORMATION WHICH MUST NOT BE DUPLICATED, USED OR DISCLOSED TO OTHERS, EXCEPT AS EXPRESSLY AUTHORIZED IN WRITING BY KOOLTRONIC, INC.

REVISIONS			
SYM	NOTICE	DESCRIPTION	DATE
-	EC 17/007	NEW DRAWING RELEASE	2/7/17 JS/SDS



13 WIRES



WIRING DIAGRAM AIR CONDITIONER

<p>ALL DIMENSIONS ARE IN INCHES. DIMENSIONS DESIGNATED MM ARE IN MILLIMETERS.</p>	
<p>TOLERANCES UNLESS OTHERWISE SPECIFIED: DIMENSIONS IN INCHES ± .02 DIMENSIONS IN MILLIMETERS ± .13</p>	<p>DESIGNED BY: DREW JENRY CHECKED BY: STEVE SCHMIDT DATE: 1/31/17</p>
<p>APPROVED BY: BRUCE KREJELY DATE: 10/9/17</p>	<p>DATE: 5/10/17</p>
<p>CODE: 06223 SCALE: NONE</p>	<p>SIZE: B DWG. NO.: WD-1612</p>
<p>DATE: 10/9/17</p>	<p>SHEET: 1 OF 1</p>

1 2 3 4 5 6 7 8

A B C D E F