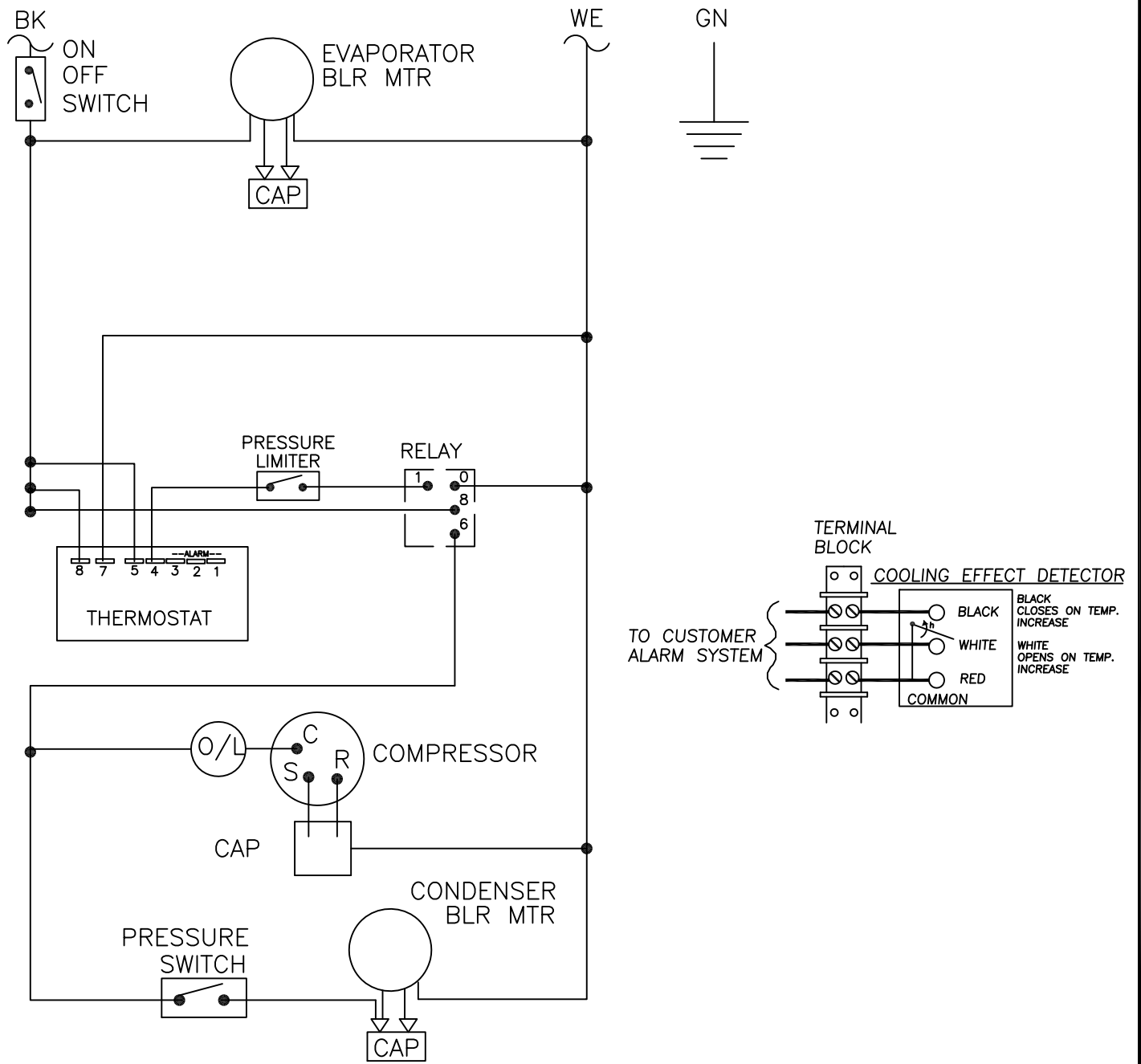



THIS DOCUMENT IS THE PROPERTY OF KOOLTRONIC, INC. AND CONTAINS PROPRIETARY AND CONFIDENTIAL INFORMATION WHICH MUST NOT BE DUPLICATED, USED OR DISCLOSED TO OTHERS, EXCEPT AS EXPRESSLY AUTHORIZED IN WRITING BY KOOLTRONIC, INC.

REVISIONS				
SYM	NOTICE	DESCRIPTION	DATE	APPROVED
-	ER 17/003	NEW DRAWING RELEASE.	3/27/17	DW-SDS



UNLESS OTHERWISE SPECIFIED TOLERANCES NON-ACCUMULATIVE			DRAWN SEPEHR SABETI	DATE 3/16/17
TOL. ON	INCHES	MM	CHECKED Steve Schmierer	4/6/17
.XX	± .02	±	ENG. SEPEHR SABETI	4/6/17
.XXX	± .010	±	MFG. ENG.	
ANGULAR		± 1/2°		
MATERIAL KA6C4NP28L			APPROVED Joe M/Bruce K	9/20/17



**HOPEWELL, NJ VENTURA, CA USA**

## WIRING DIAGRAM

CODE IDENT. NO. 06223	SIZE A	DWG. NO. WD-1615	REV -
SCALE N/A	CAD. REF.	SHEET 1 OF 1	