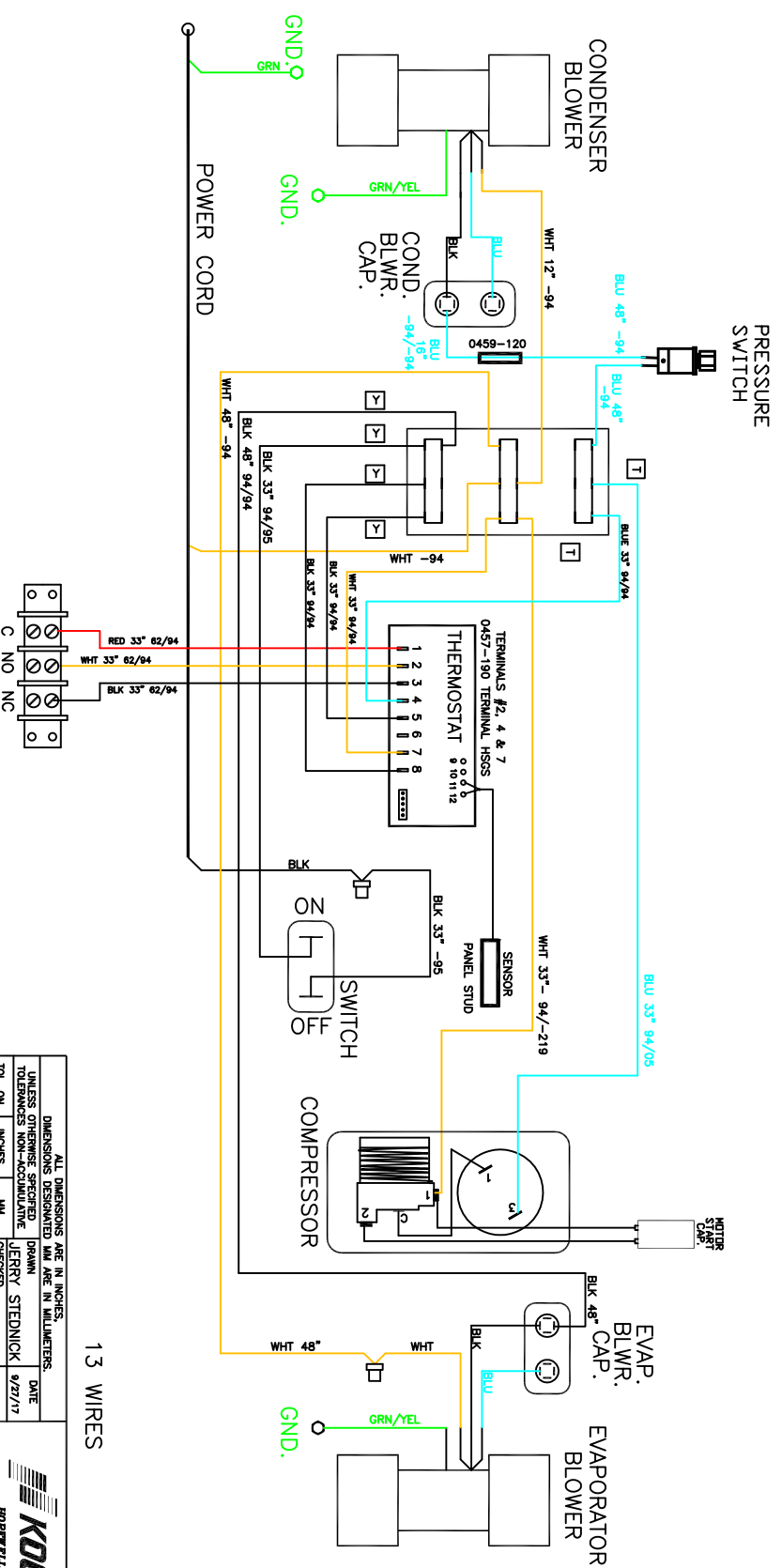


THIS DOCUMENT IS THE PROPERTY OF KOOLTRONIC, INC. AND CONTAINS PROPRIETARY AND CONFIDENTIAL INFORMATION WHICH MUST NOT BE DUPLICATED, USED OR DISCLOSED TO OTHERS, EXCEPT AS EXPRESSLY AUTHORIZED IN WRITING BY KOOLTRONIC, INC.

REVISIONS				
SYM	NOTICE	DESCRIPTION	DATE	APPROVED
-	EC 17/451	NEW DRAWING RELEASE	9/27/17	JS/SDS
A	EC 17/7711	ADDED SPICE 0459-120 & LENGTH TO PRES. SWT. ADDED BLU 16" -94/-94 WIRE COMPRESSOR TERM'S WERE -95	1/9/18	MEM/SPS



13 WIRES

ALL DIMENSIONS ARE IN INCHES.
DIMENSIONS DESIGNED MM ARE IN MILLIMETERS.

TOLERANCES UNLESS SPECIFIED	DRAWN	DATE
TOLERANCES UNLESS SPECIFIED	JERRY STEDNICK	9/27/17
TOL. ON INCHES	CHECKED	10/9/17
.XX	Steve Schmierer	10/9/17
± .02	ENG. Sapehr Sabeti	10/9/17
± .010	MFG. ENG.	
ANGULAR		
± 1/2°		

KOOLTRONIC, INC.
ROPERVILLE, NJ VERBODICA, CA USA

WIRING DIAGRAM
AIR CONDITIONER

CODE: DESG. NO. SIZE DWG. NO. REV.
06223 B WD-1628 A

DATE: 10/9/17

APPROVED: Joe Milko

SCALE: NONE

SHEET: 1 OF 1