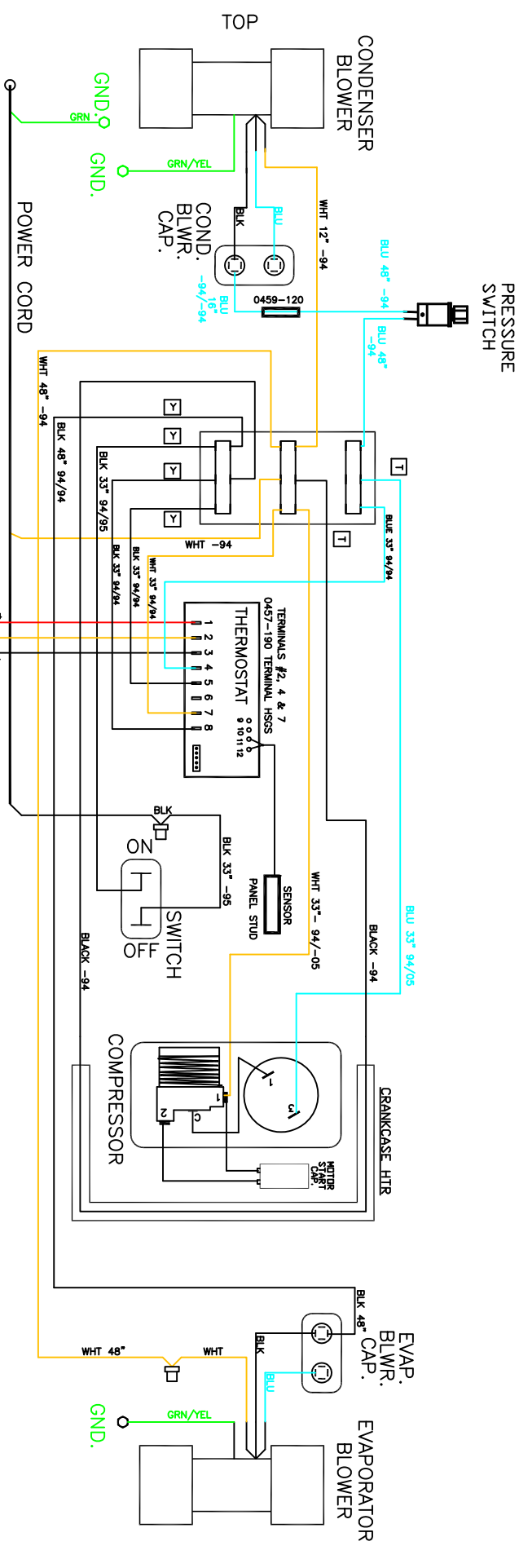
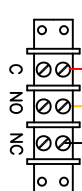


THIS DOCUMENT IS THE PROPERTY OF KOOLTRONIC, INC. AND CONTAINS PROPRIETARY AND CONFIDENTIAL INFORMATION WHICH MUST NOT BE DUPLICATED, USED OR DISCLOSED TO OTHERS, EXCEPT AS EXPRESSLY AUTHORIZED IN WRITING BY KOOLTRONIC, INC.

REVISIONS			DATE	APPROVED
SYM	NOTICE	DESCRIPTION		
-	EC 17/451	NEW DRAWING RELEASE	9/27/17	JS/SDS
A	EC 17/711	ADDED SPICE 0459-120 & LENGTH TO PRES. SWT. WIRES. ADDED BLU 16"-94/-94 WIRE COMPRESSOR TERM.'S WERE -95	1/9/18	MEM/SDS
B	EC 17/710	CHANGED WHT COMP. WIRE TERMINAL FROM -219 To -05	1/16/18	JS/SDS
C	EC 18/334	ADDED CRANKCASE HEATER	6/12/18	JS/SDS



13 WIRES



DIMENSIONS DESIGNED MM ARE IN MILLIMETERS.		DIMENSIONS DESIGNED IN INCHES.	
TOLERANCES UNLESS SPECIFIED	DRAWN	TOLERANCES UNLESS SPECIFIED	DATE
TOL. ON INCHES	JERRY STEDNICK	TOL. ON MILLIMETERS	9/27/17
± .02	Steve Schmierer	± .010	10/9/17
± .010	Eng. Sapehr Sabeti	± 1/2"	10/9/17
± 1/2"	WFG. ENG.		

KOOLTRONIC, INC.
 8097 BILBA, NJ VERBODIA, CA USA

WIRING DIAGRAM
AIR CONDITIONER

CODE IDENT. NO. SIZE DWG. NO. REV.
 06223 B WD-1628 C

APPROVED Joe Wilko 10/9/17

SCALE NONE CND. REF. SHEET 1 OF 1