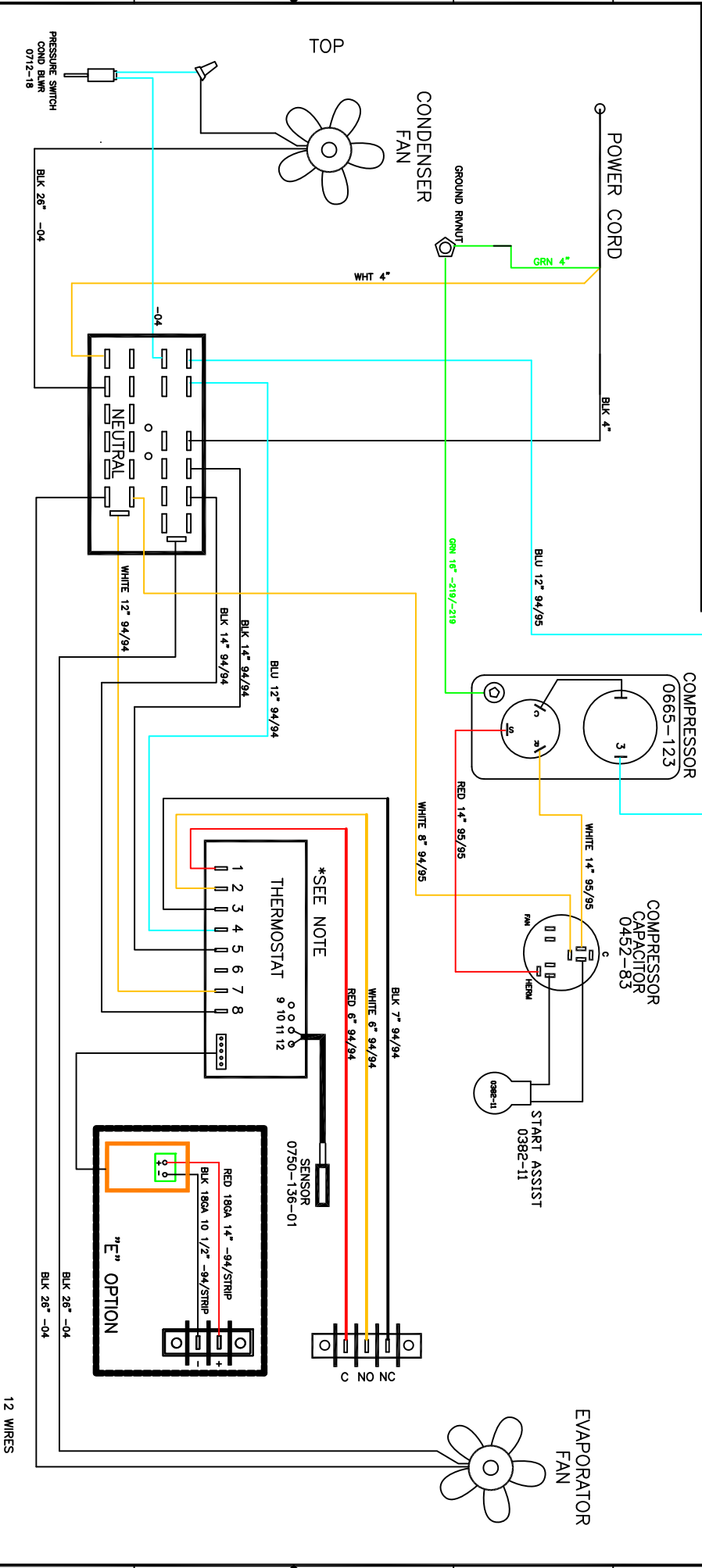


THIS DOCUMENT IS THE PROPERTY OF KOOLTRONIC, INC. AND CONTAINS PROPRIETARY AND CONFIDENTIAL INFORMATION WHICH MUST NOT BE DUPLICATED, USED OR DISCLOSED TO OTHERS, EXCEPT AS EXPRESSLY AUTHORIZED IN WRITING BY KOOLTRONIC, INC.



REVISIONS			
SYM	NOTICE	DESCRIPTION	DATE
-	EC 17/556	NEW DRAWING RELEASE	1/10/18 JS/SDS

ALL DIMENSIONS ARE IN INCHES. DIMENSIONS DESIGNATED MM ARE IN MILLIMETERS.

TOLERANCE	UNLESS OTHERWISE SPECIFIED	DRAWN	DATE
TOL. ON DIMENSIONS	± .010	JERRY STEWICK	11/9/17
TOL. ON ANGULAR	± 1/2°	Steve Schreiner	11/9/18
CHECKED	ENG. Ren Kaufman	WFR. ENG.	11/9/18

**KOOLTRONIC, INC.**  
 400 W. BELL ST. VENTURA, CA 94682  
 WIRING DIAGRAM  
 AIR CONDITIONER

CODE	ISSUE NO.	SIZE	DWG. NO.
06223	B	WD-1630	WD-1630
SCALE	NONE	CAD. REF.	WD-1630
SHEET	1 OF 1	REV	-

\*NOTE: DIXELL THERMOSTAT TERMINALS #2, #4, AND #7 GET 0459-190 TERMINAL HOUSINGS