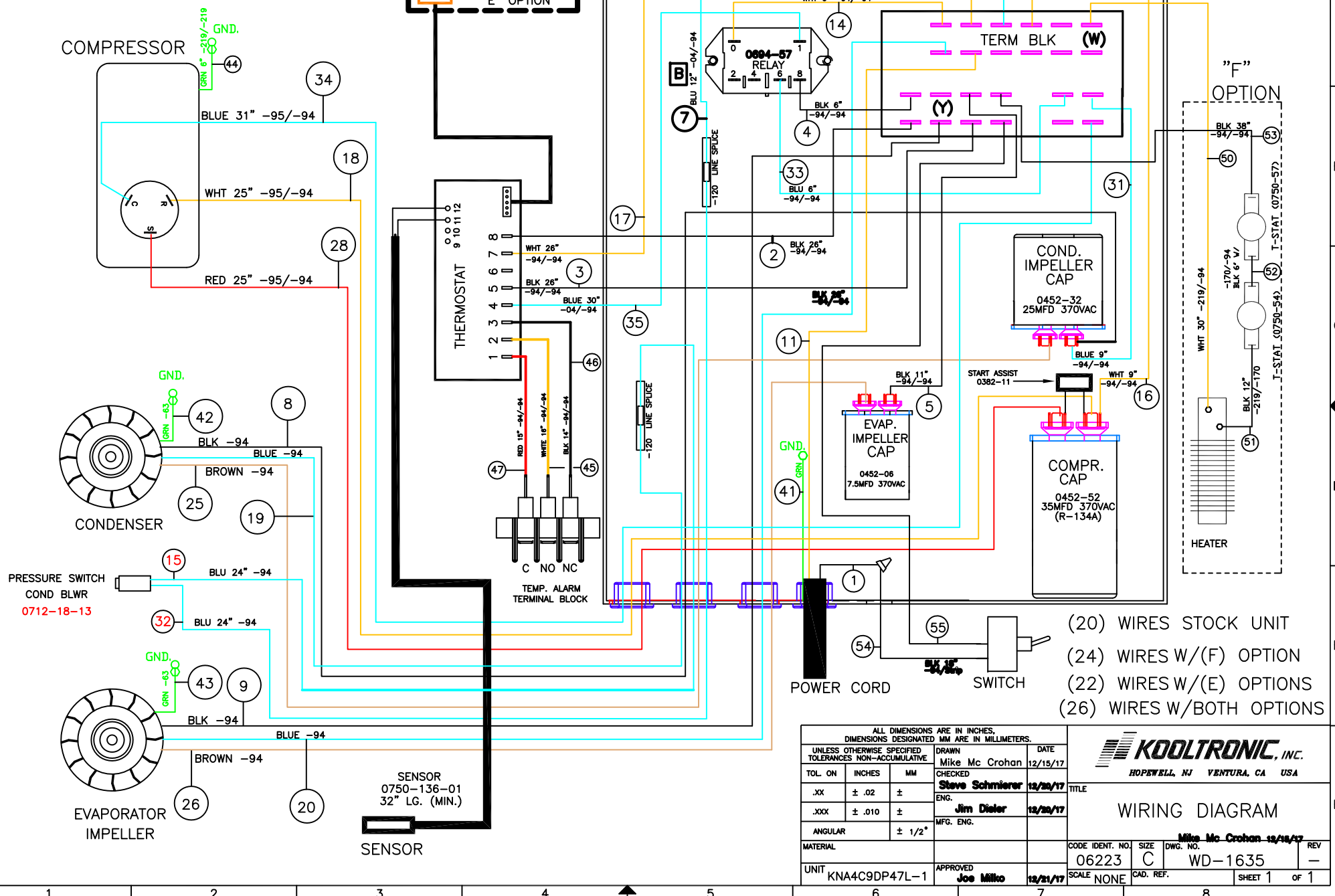


THIS DOCUMENT IS THE PROPERTY OF KOOLTRONIC, INC. AND CONTAINS PROPRIETARY AND CONFIDENTIAL INFORMATION WHICH MUST NOT BE DUPLICATED, USED OR DISCLOSED OTHER THAN AS EXPRESSLY AUTHORIZED BY KOOLTRONIC, INC.

REVISIONS				
SYM	NOTICE	DESCRIPTION	DATE	APPROVED
—	EC 17/583	NEW DRAWING RELEASE	12/15/17	MEM/SDS

NOTE:  
THERMOSTAT TERMINALS (2), (4) & (7)  
TO HAVE TERM. RECEPT. HSG. (0459-190).



- (20) WIRES STOCK UNIT
- (24) WIRES W/(F) OPTION
- (22) WIRES W/(E) OPTIONS
- (26) WIRES W/BOTH OPTIONS

UNLESS OTHERWISE SPECIFIED TOLERANCES NON-ACCUMULATIVE			
TOL ON	INCHES	MM	
.XX	± .02	±	
.XXX	± .010	±	
ANGULAR		± 1/2°	
MATERIAL			
UNIT	KNA4C9DP47L-1		

ALL DIMENSIONS ARE IN INCHES, DIMENSIONS DESIGNATED MM ARE IN MILLIMETERS.			
DRAWN	DATE	TITLE	
Mike Mc Crohan	12/15/17	WIRING DIAGRAM	
CHECKED	DATE	DRAWN BY	
Steve Schmierer	12/20/17	Mike Mc Crohan 12/15/17	
ENG.		MFG. ENG.	
Jim Dieter	12/20/17		
APPROVED	DATE	SCALE	SHEET
Joe Milko	12/21/17	NONE	1 OF 1

**KOOLTRONIC, INC.**  
HOPEWELL, NJ VENTURA, CA USA

CODE IDENT. NO.	SIZE	DWG. NO.	REV
06223	C	WD-1635	—
CAD. REF.			