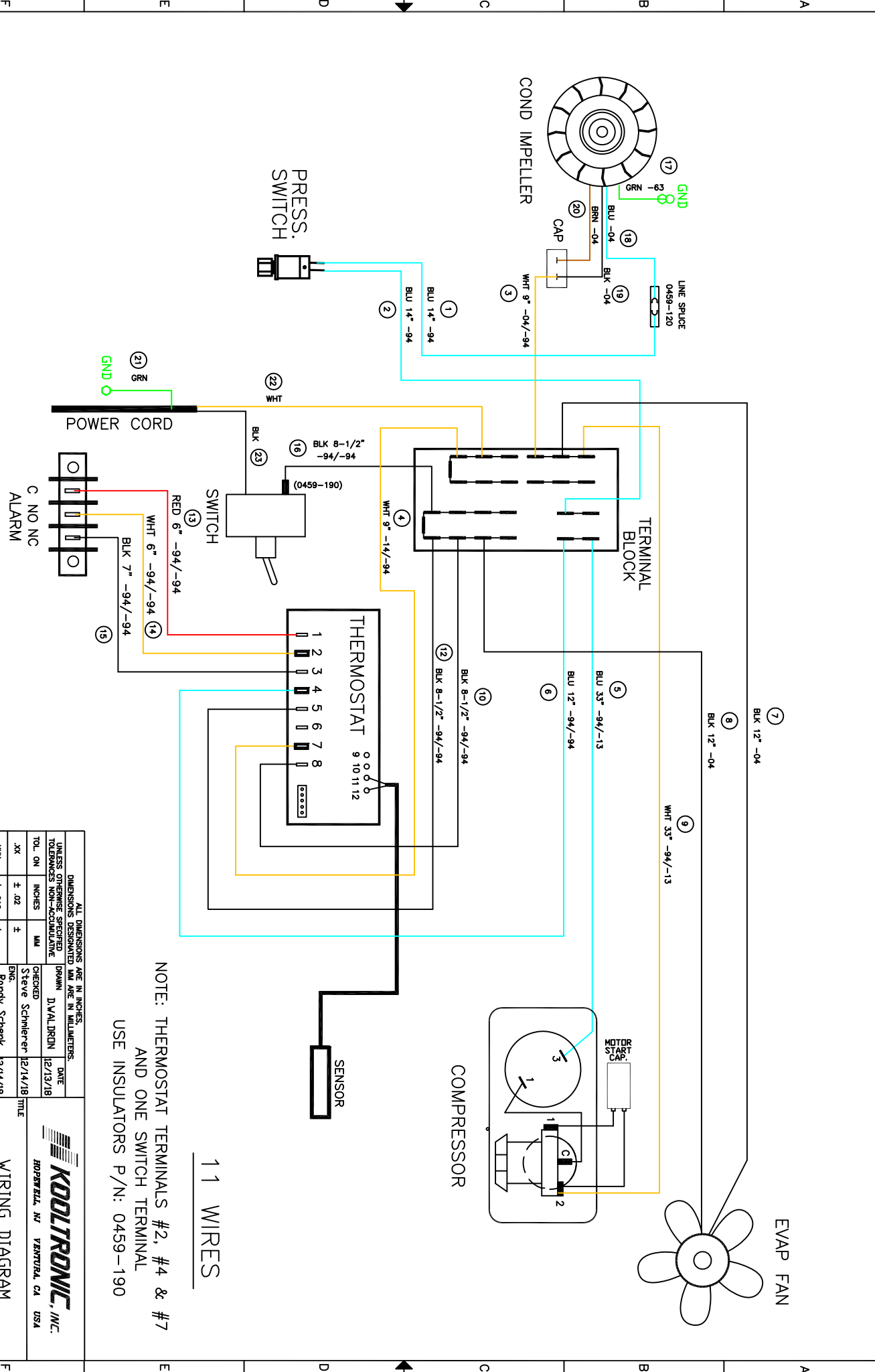


THIS DOCUMENT IS THE PROPERTY OF KOOLTRONIC, INC. AND CONTAINS PROPRIETARY AND CONFIDENTIAL INFORMATION WHICH MUST NOT BE DUPLICATED, USED OR DISCLOSED OTHER THAN AS EXPRESSLY AUTHORIZED BY KOOLTRONIC, INC.

SWM	NOTICE	REVISIONS	DESCRIPTION	DATE	APPROVED
-	EC 18/321	NEW DRAWING	RELEASE.	12/13/18	DV-SIS



11 WIRES

NOTE: THERMOSTAT TERMINALS #2, #4 & #7 AND ONE SWITCH TERMINAL USE INSULATORS P/N: 0459-190

DIMENSIONS ARE IN INCHES, UNLESS OTHERWISE SPECIFIED		DIMENSIONS DESIGNATED MM ARE IN MILLIMETERS, UNLESS OTHERWISE SPECIFIED	
TOL. ON INCHES	MM	TOLERANCES NON-ACCUMULATIVE	DATE
.XX ± .02	±		12/13/18
.XXX ± .010	±		12/14/18
ANGULAR ± 1/2°	±		

UNIT	KNA4C3P2LL	APPROVED	Bruce Kreeley	12/17/18	SCALE	NINE	
CODE IDENT. NO.	06223	SIZE	C	DWG. NO.	WD-1642	REV	-
CAD. REF.						SHEET	1 OF 1

 KOOLTRONIC, INC. HOPWELL, NJ VENTURA, CA USA		TITLE WIRING DIAGRAM AIR CONDITIONER	
CHECKED	Steve Schmierer	12/14/18	
ENG.	Randy Schenk	12/14/18	
MFG. ENG.			