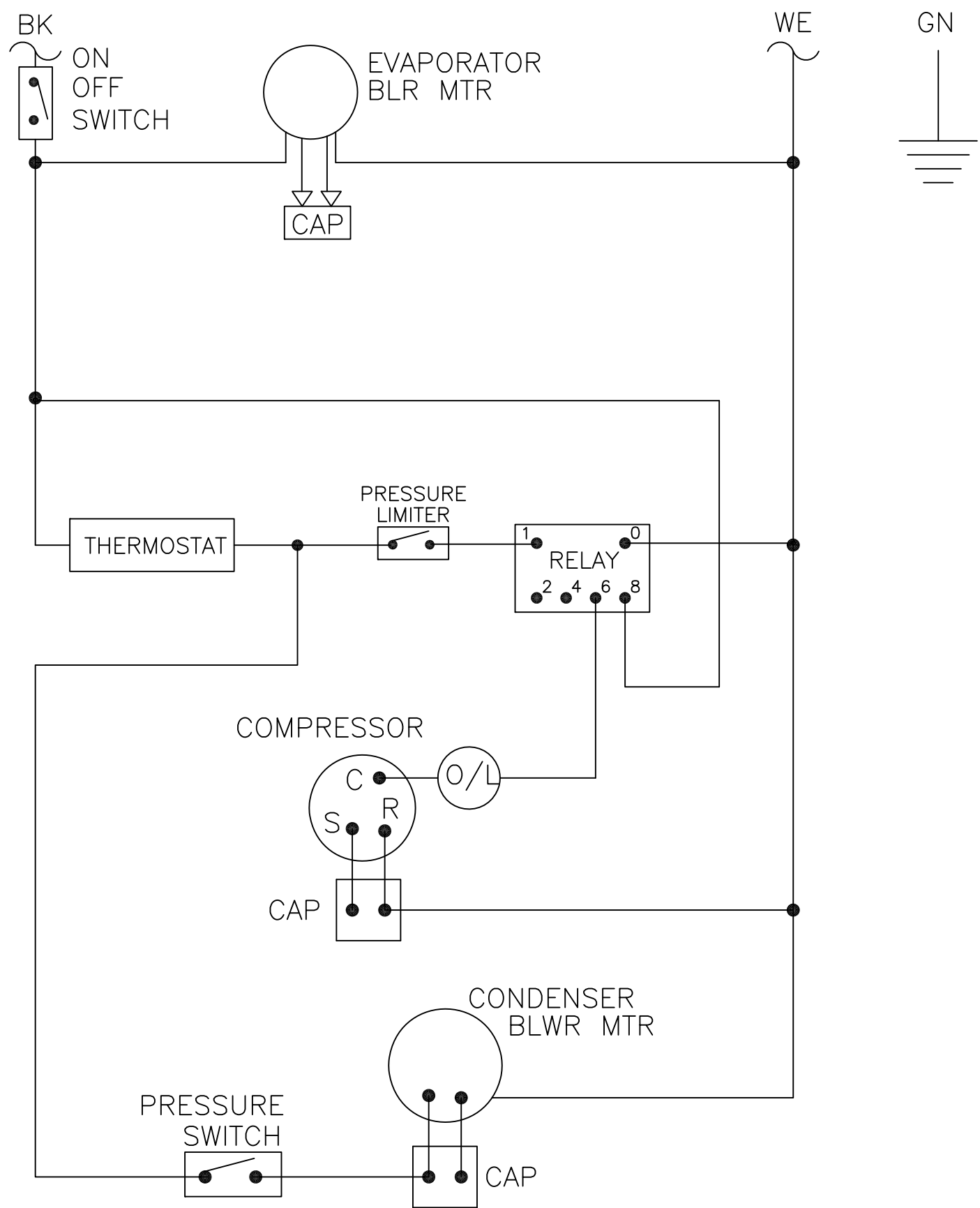


THIS DOCUMENT IS THE PROPERTY OF KOOLTRONIC, INC. AND CONTAINS PROPRIETARY AND CONFIDENTIAL INFORMATION WHICH MUST NOT BE DUPLICATED, USED OR DISCLOSED TO OTHERS, EXCEPT AS EXPRESSLY AUTHORIZED IN WRITING BY KOOLTRONIC, INC.

REVISIONS				
SYM	NOTICE	DESCRIPTION	DATE	APPROVED
—	ER 18/042	NEW DRAWING RELEASE	1/28/19	MEM/SDS



ALL DIMENSIONS ARE IN INCHES,  
DIMENSIONS DESIGNATED MM ARE IN MILLIMETERS.

UNLESS OTHERWISE SPECIFIED TOLERANCES NON-ACCUMULATIVE		
TOL. ON	INCHES	MM
.XX	± .02	±
.XXX	± .010	±
ANGULAR		± 1/2°

DRAWN	DATE
Mike McCrohan	1/28/19
CHECKED	
Steve Schmierer	2/6/19
ENG.	
Randy Schenk	2/13/19
MFG. ENG.	
APPROVED	
Bruce Kreeley	2/15/19



## WIRING DIAGRAM

MATERIAL	CODE IDENT. NO.	SIZE	DWG. NO.	REV
	06223	A	WD-1650	—
UNITS KA6C4NP28L	SCALE N/A	CAD. REF.	SHEET 1 OF 1	