

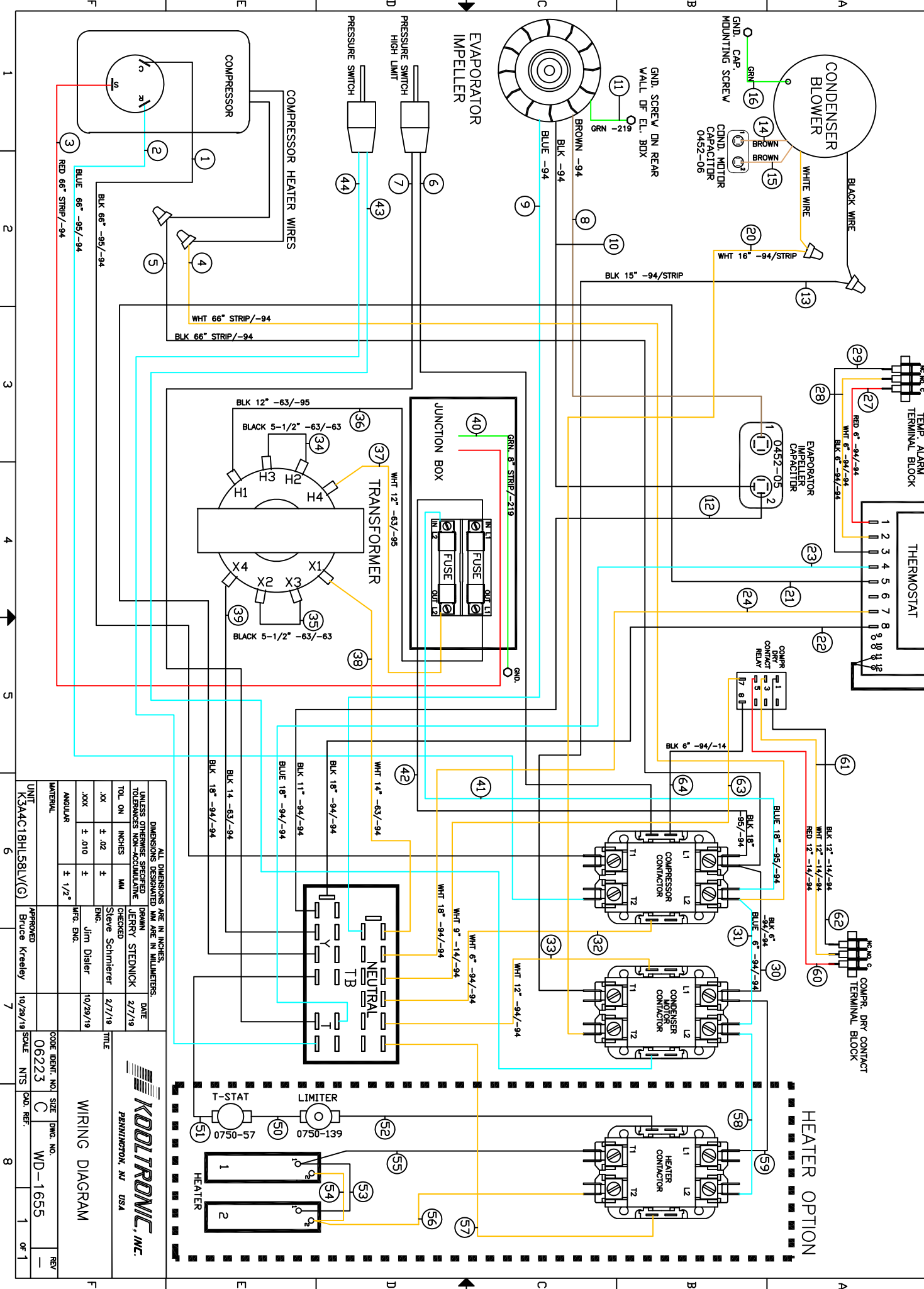
THIS DOCUMENT IS THE PROPERTY OF KOOLTRONIC, INC. AND CONTAINS PROPRIETARY AND CONFIDENTIAL INFORMATION WHICH MUST NOT BE DUPLICATED, USED OR DISCLOSED OTHER THAN AS EXPRESSLY AUTHORIZED BY KOOLTRONIC, INC.

NOTE: #2, #4 & #7 T-STAT TERMINALS GET 0459-190 TERM. HOUSING COVERS

REV	DATE	APPROVED
1	5/22/19	JS/SDS

REV	DESCRIPTION
1	NEW DRAWING RELEASE

SWM	NOTICE
ER 19/040	



UNIT	APPROVED	DATE	SCALE	REV
K3AAC18HL5BLV(G)	Bruce Kreeley	10/29/19	NTS	1

UNLESS OTHERWISE SPECIFIED	DATE
TOLERANCES NON-ACCUMULATIVE	2/7/19
CHECKED	2/7/19
ENG. JERRY STEDNICK	
ENG. STEVE SCHMIETTER	
ENG. JIM DISLER	10/29/19
ENG. BRUCE KREELEY	

ALL DIMENSIONS ARE IN INCHES. DIMENSIONS DESIGNATED MM ARE IN MILLIMETERS.

KOOLTRONIC, INC.
PERMINTON, NJ USA

WIRING DIAGRAM

CODE IDENT. NO. 06223
SIZE C
DWG. NO. WD-1655
SCALE NTS
REV 1 of 1