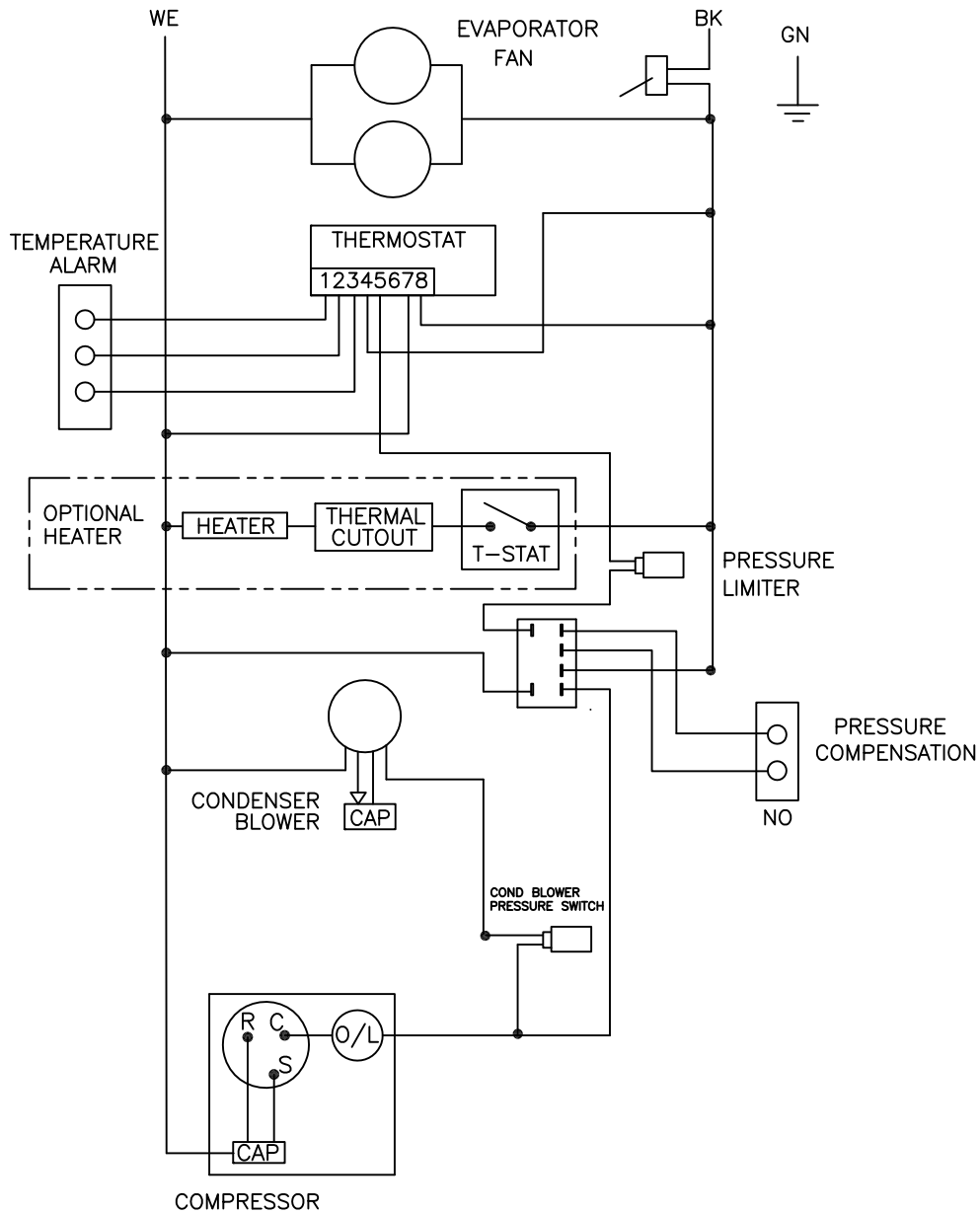


THIS DOCUMENT IS THE PROPERTY OF KOOLTRONIC, INC. AND CONTAINS PROPRIETARY AND CONFIDENTIAL INFORMATION WHICH MUST NOT BE DUPLICATED, USED OR DISCLOSED TO OTHERS, EXCEPT AS EXPRESSLY AUTHORIZED IN WRITING BY KOOLTRONIC, INC.

REVISIONS

SYM	NOTICE	DESCRIPTION	DATE	APPROVED
-	EC 19/076	NEW DRAWING RELEASE.	2/15/19	SS/MEM



ALL DIMENSIONS ARE IN INCHES,
DIMENSIONS DESIGNATED MM ARE IN MILLIMETERS.

UNLESS OTHERWISE SPECIFIED
TOLERANCES NON-ACCUMULATIVE

TOL. ON	INCHES	MM
.XX	± .02	±
.XXX	± .010	±
ANGULAR	± 1/2°	

DRAWN	DATE
SEPEHR SABETI	2/15/19
CHECKED Mike Mc Crohan	3/5/19
ENG. SEPEHR SABETI	3/6/19
MFG. ENG.	



WIRING DIAGRAM

MATERIAL		CODE IDENT. NO. 06223	SIZE A	DWG. NO. WD-1661	REV -
UNITS K_A6C6HL40L	APPROVED Bruce Kreeley	3/7/19	SCALE N/A	CAD. REF.	SHEET 1 OF 1