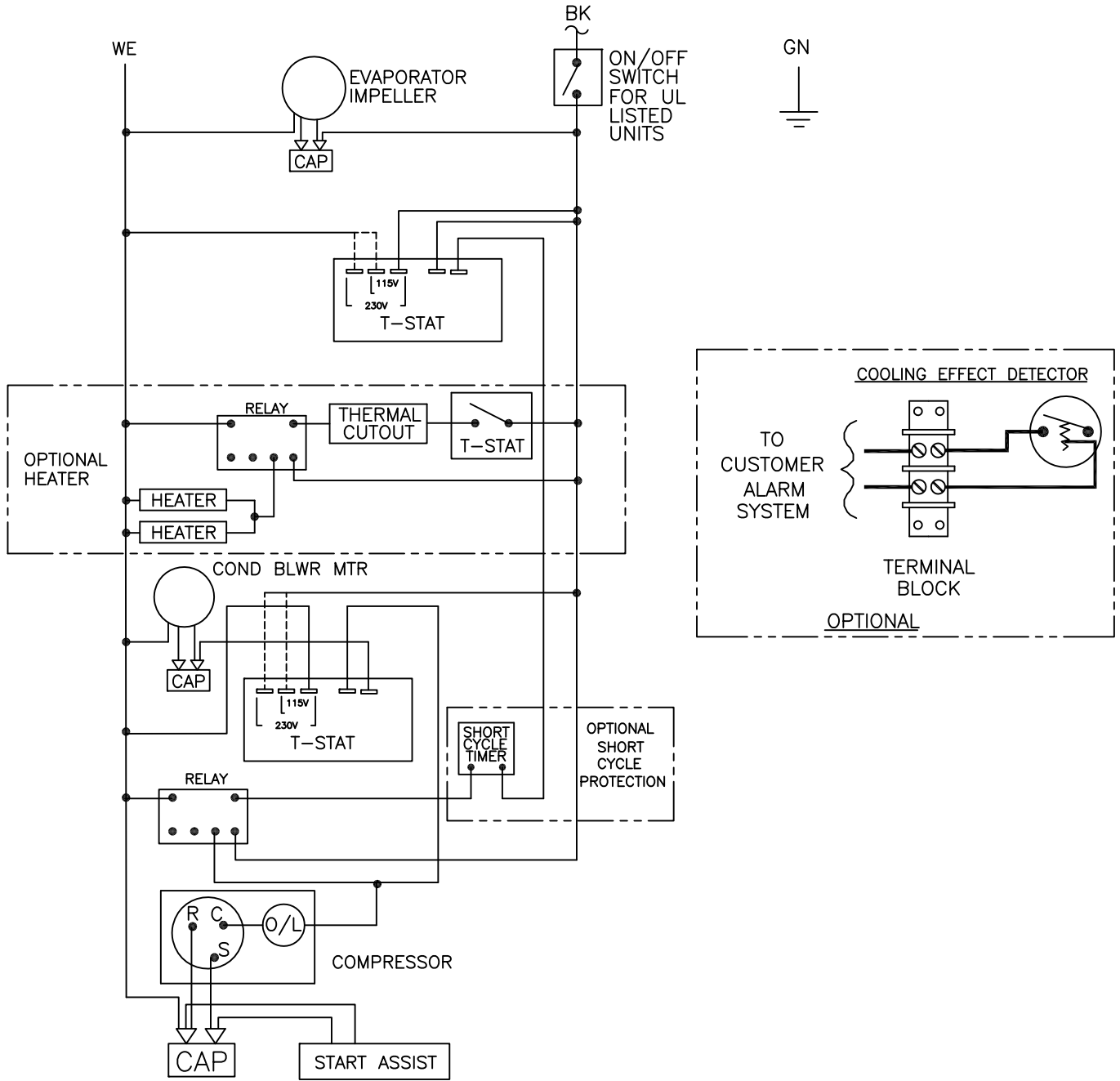


THIS DOCUMENT IS THE PROPERTY OF KOOLTRONIC, INC. AND CONTAINS PROPRIETARY AND CONFIDENTIAL INFORMATION WHICH MUST NOT BE DUPLICATED, USED OR DISCLOSED TO OTHERS, EXCEPT AS EXPRESSLY AUTHORIZED IN WRITING BY KOOLTRONIC, INC.

REVISIONS

SYM	NOTICE	DESCRIPTION	DATE	APPROVED
-	EC 19/252	NEW DRAWING RELEASE.	9/17/19	JS/SDS



ALL DIMENSIONS ARE IN INCHES,
DIMENSIONS DESIGNATED MM ARE IN MILLIMETERS.

UNLESS OTHERWISE SPECIFIED
TOLERANCES NON-ACCUMULATIVE

TOL. ON	INCHES	MM
.XX	± .02	±
.XXX	± .010	±
ANGULAR		± 1/2°

DRAWN	DATE
JERRY STEDNICK	9/17/19
CHECKED Steve Schmierer	9/18/19
ENG. Jim Disler	9/18/19
MFG. ENG.	



WIRING DIAGRAM

MATERIAL		CODE IDENT. NO.	SIZE	DWG. NO.	REV
UNITS	KA4C6RTL	APPROVED	06223	A	WD-1673
	Jim Disler	9/18/19	SCALE	CAD. REF.	SHEET
			NONE		1 OF 1