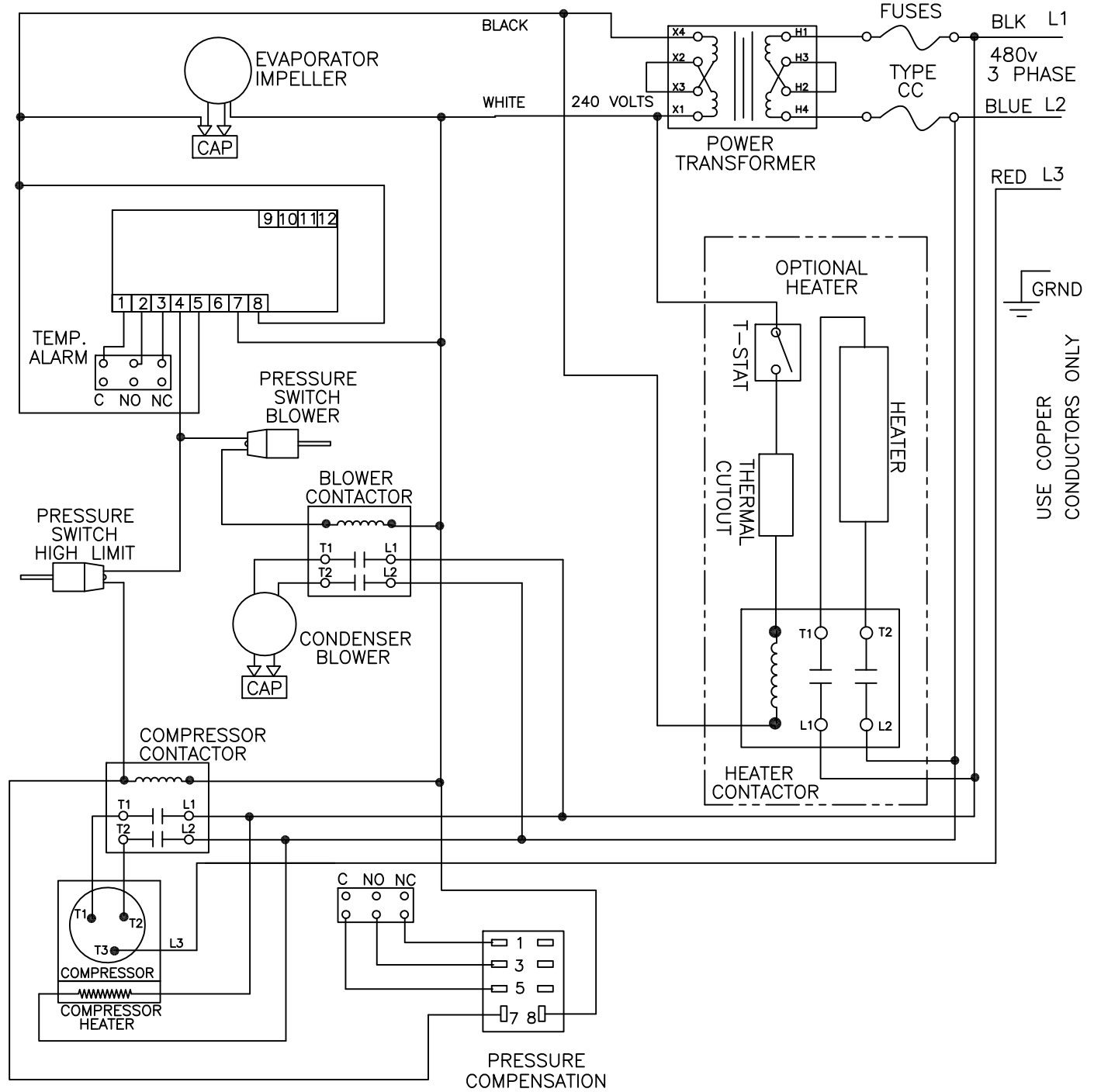


THIS DOCUMENT IS THE PROPERTY OF KOOLTRONIC, INC. AND CONTAINS PROPRIETARY AND CONFIDENTIAL INFORMATION WHICH MUST NOT BE DUPLICATED, USED OR DISCLOSED TO OTHERS, EXCEPT AS EXPRESSLY AUTHORIZED IN WRITING BY KOOLTRONIC, INC.

REVISIONS

SYM	NOTICE	DESCRIPTION	DATE	APPROVED
-	ER 18/040	NEW DRAWING RELEASE	10/23/19	JS/SDS
A	EC 22/011	CHANGE COMPRESSOR C,R, &S WITH T1, T2, & T3	1/20/22	RJB/



ALL DIMENSIONS ARE IN INCHES,
DIMENSIONS DESIGNATED MM ARE IN MILLIMETERS.

UNLESS OTHERWISE SPECIFIED
TOLERANCES NON-ACCUMULATIVE

TOL. ON	INCHES	MM
.XX	± .02	±
.XXX	± .010	±
ANGULAR		± 1/2°

DRAWN	DATE
JERRY STEDNICK	10/23/19
CHECKED Steve Schmierer	10/23/19
ENG. Jim Disler	10/29/19
MFG. ENG.	



WIRING DIAGRAM

MATERIAL	APPROVED	DATE	CODE IDENT. NO.	SIZE	DWG. NO.	REV
UNITS K3A4C18HL58LV & 56	Bruce Kreeley	10/29/19	06223	A	WD-1680	A
			SCALE N/A	CAD. REF.	WD-1680	SHEET 1 OF 1