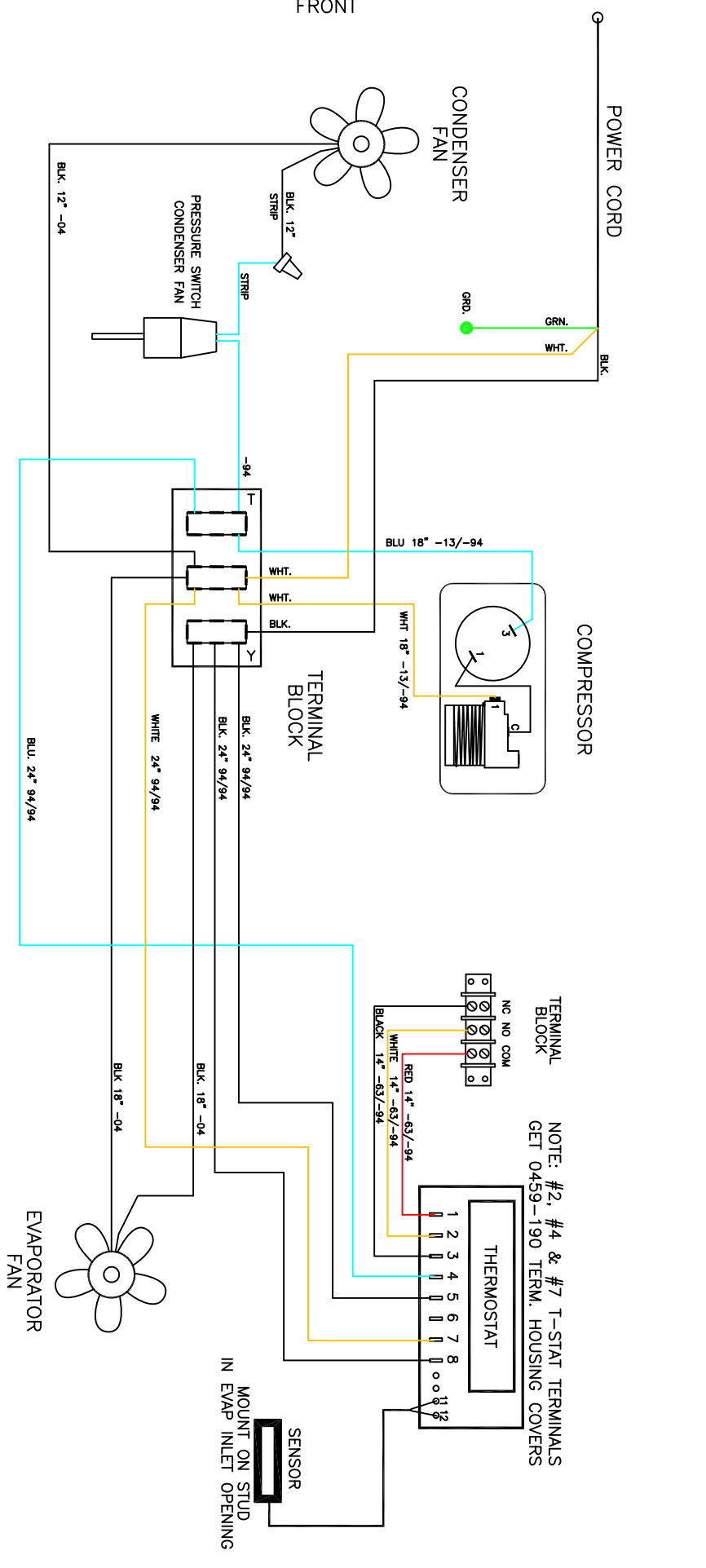
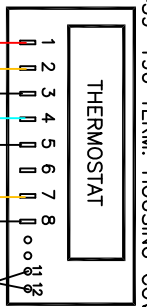
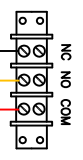


THIS DOCUMENT IS THE PROPERTY OF KOOLTRONIC, INC. AND CONTAINS PROPRIETARY AND CONFIDENTIAL INFORMATION WHICH MUST NOT BE DUPLICATED, USED OR DISCLOSED TO OTHERS, EXCEPT AS EXPRESSLY AUTHORIZED IN WRITING BY KOOLTRONIC, INC.

REVISIONS			DATE	APPROVED
SYM	NOTICE	DESCRIPTION		
-	EC 19/544	NEW DRAWING RELEASE	11/18/19	J5/SDS



NOTE: #2, #4 & #7 T-STAT TERMINALS GET 0459-190 TERM. HOUSING COVERS



(9 WIRES)

ALL DIMENSIONS ARE IN INCHES. DIMENSIONS DESIGNED MM ARE IN MILLIMETERS.

TOLERANCE	FINISH	DATE
± .02	DRAWN	11/18/19
± .010	JERRY STEDNICK	11/18/19
±	CHECKED	
±	Steve Schmitter	11/18/19
±	ENG. Randy Schenk	11/18/19
± 1/2"	MFG. ENG.	

KOOLTRONIC, INC.
 400 PAVAN BLVD. #100
 VENTNOLA, CA USA

WIRING DIAGRAM
 AIR CONDITIONER

CODE	ISSUE NO.	SIZE	DATE	NO.	REV.
06223	B	WD-1682			

SCALE: 1" = 1"

APPROVED: Bruce Kennedy 11/19/19

DATE: 11/19/19

SHEET: 1 OF 1