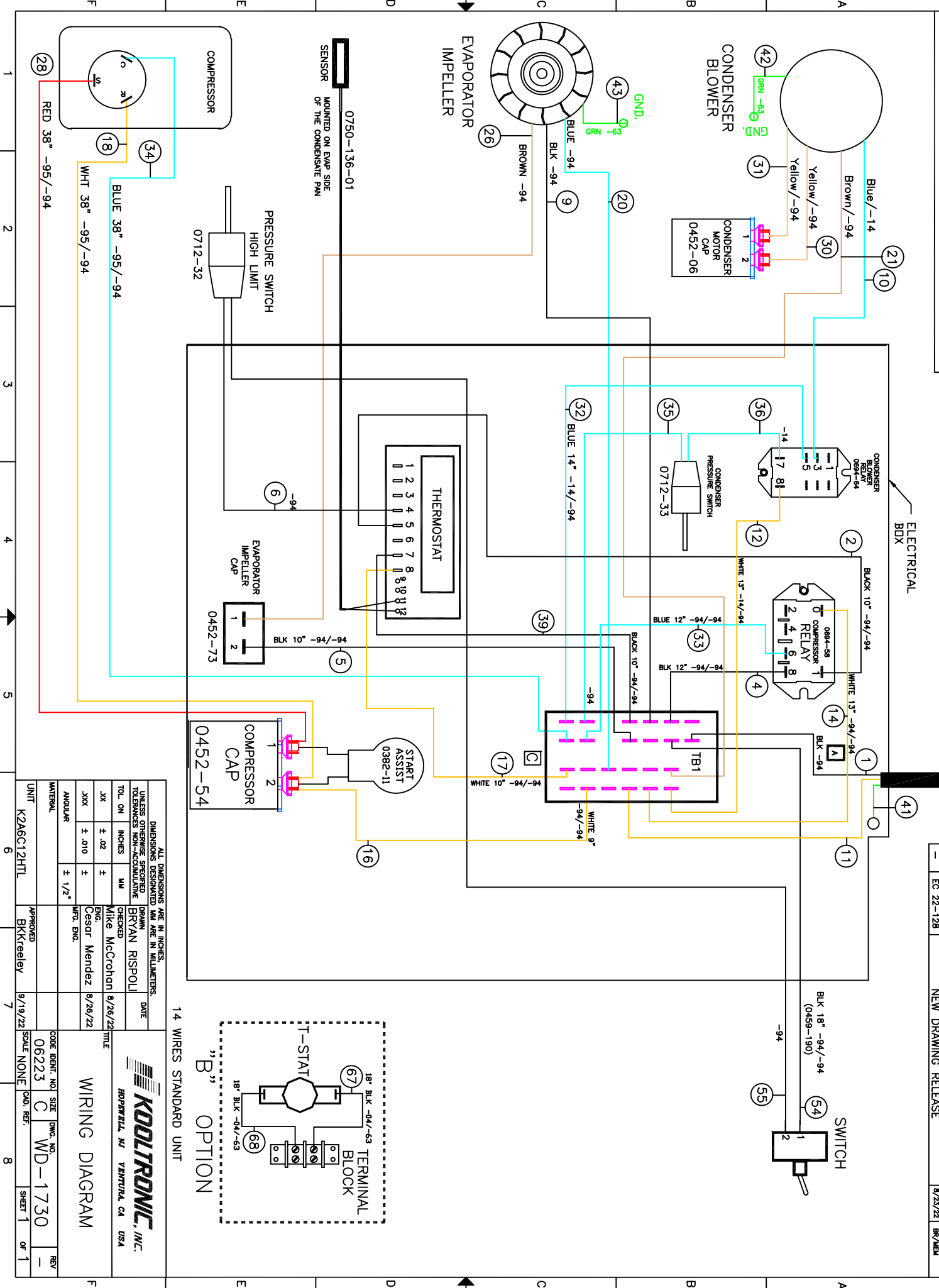


THIS DOCUMENT IS THE PROPERTY OF KOOLTRONIC, INC. AND CONTAINS PROPRIETARY AND CONFIDENTIAL INFORMATION WHICH MUST NOT BE DUPLICATED, USED OR DISCLOSED OTHER THAN AS EXPRESSLY AUTHORIZED BY KOOLTRONIC, INC.

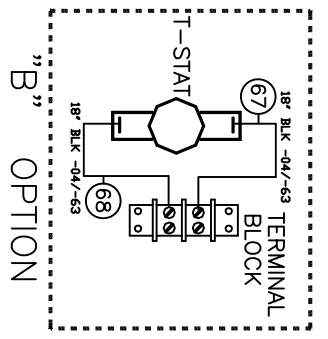


POWER CORD

SWM	NOTICE
-	EC 22-128

REVISIONS	DESCRIPTION	DATE	APPROVED
NEW DRAWING	RELEASE	9/23/22	RV/MEH

14 WIRES STANDARD UNIT



DIMENSIONS DESIGNATED MM ARE IN MILLIMETERS.		DIMENSIONS DESIGNATED INCHES ARE IN INCHES.	
UNLESS OTHERWISE SPECIFIED TOLERANCES NON-ACCUMULATIVE		UNLESS OTHERWISE SPECIFIED TOLERANCES NON-ACCUMULATIVE	
TOL. ON	INCHES	TOL. ON	MILLIMETERS
.XX	± .02	±	±
.XXX	± .010	±	±
ANGULAR	± 1/2°		

APPROVED	DATE	BY	DATE
BKKreeley	9/19/22	Mike McCrhan	8/26/22
		Cesar Mendez	8/26/22

UNIT	CODE IDENT. NO.	SIZE	DWG. NO.	REV
K2A6C12HTL	C	WD-1730		

SCALE	CAD. REF.	SHEET	OF
NONE		1	1

KOOLTRONIC, INC.
 HOPWELL, NJ VENTURA, CA USA

WIRING DIAGRAM