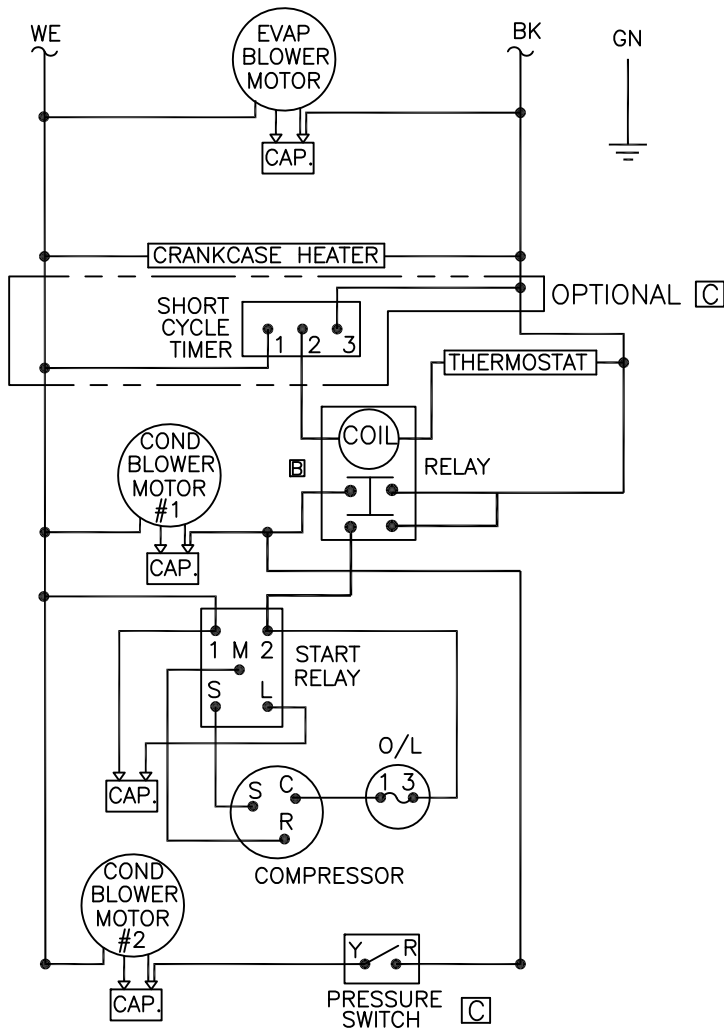


THIS DOCUMENT IS THE PROPERTY OF KOOLTRONIC, INC. AND CONTAINS PROPRIETARY AND CONFIDENTIAL INFORMATION WHICH MUST NOT BE DUPLICATED, USED OR DISCLOSED OTHER THAN AS EXPRESSLY AUTHORIZED BY KOOLTRONIC, INC.

REVISIONS				
SYM	NOTICE	DESCRIPTION	DATE	APPROVED
-	ER 94/152	NEW DRAWING RELEASE	09/27/94	RDG
A	EC 95/49	REVISED RELAY WIRING	2/27/95	MJH
B	EC 98/2	CHANGED TYPE OF RELAY & ASSOCIATED WIRES	4/17/98	JS
C	EC 04/179	REMOVED OPTION BLOCK FROM C.C.HTR. & PRES. SWT. NOW STD. AS OF 5/21/04	5/18/04	MEM/
D	EC 14/170	REMOVED SURGE SUPPRESSOR	8/25/14	LM/



ALL DIMENSIONS ARE IN INCHES,  
DIMENSIONS DESIGNATED MM ARE IN MILLIMETERS.

UNLESS OTHERWISE SPECIFIED  
TOLERANCES NON-ACCUMULATIVE

TOL. ON	INCHES	MM
.XX	± .02	±
.XXX	± .010	±
ANGULAR		± 1/2°

MATERIAL

UNITS  
KNA4C4-7P38, P47 & P59R  
K2NA4C4-7P38, P47 & P59R

DRAWN	DATE
Rob George	09/27/94
CHECKED	
ENG.	S.R. 2/27/95
MFG. ENG.	
APPROVED	
B KREELEY	12/1/04



WIRING DIAGRAM

CODE IDENT. NO.	SIZE	DWG. NO.	REV
06223	A	WD-195	D
SCALE 1=1	CAD. REF. WD-195	SHEET 1 OF 1	