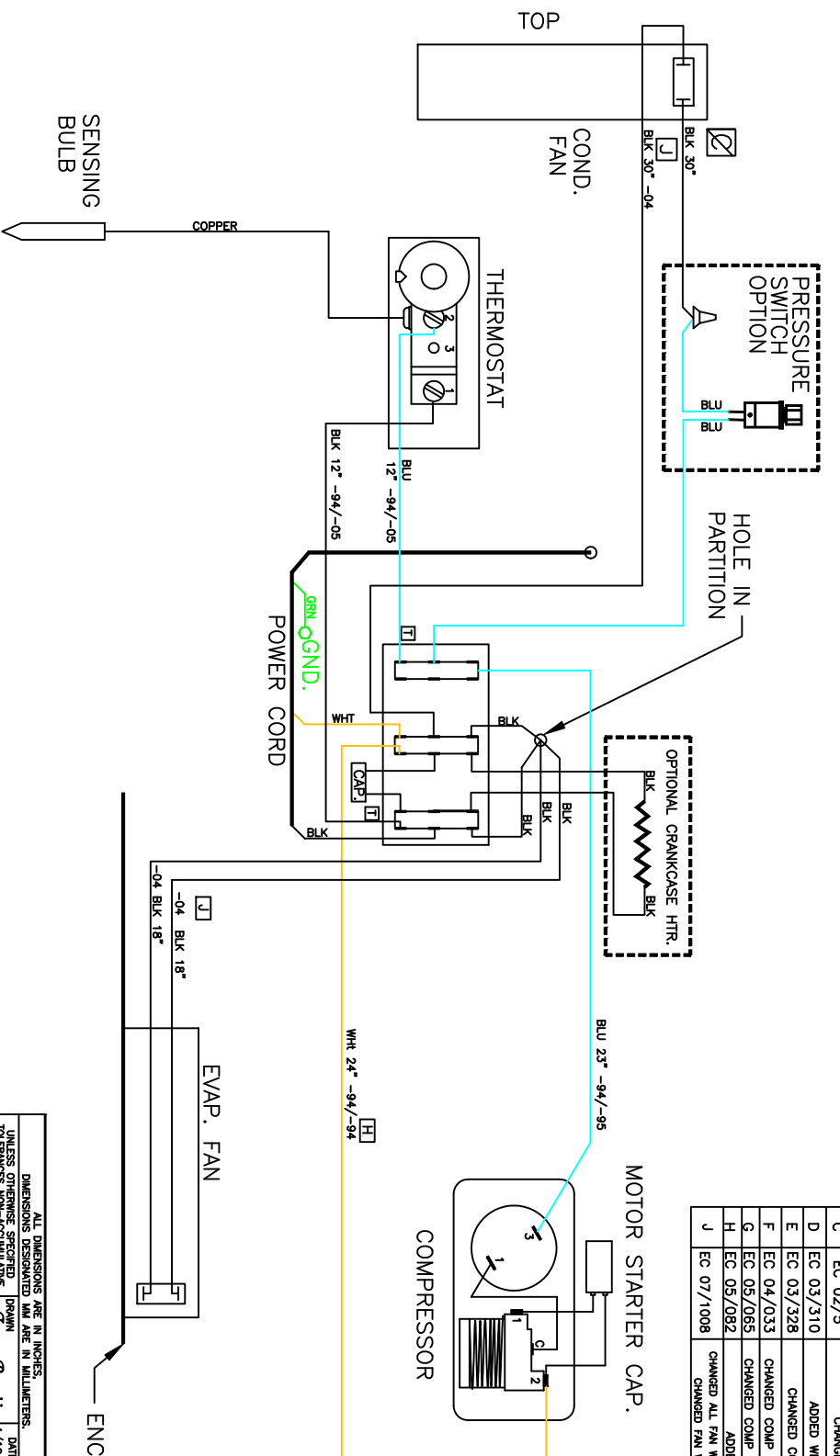


THIS DOCUMENT IS THE PROPERTY OF KOOLTRONIC, INC. AND CONTAINS PROPRIETARY AND CONFIDENTIAL INFORMATION WHICH MUST NOT BE DUPLICATED, USED OR DISCLOSED TO OTHERS, EXCEPT AS EXPRESSLY AUTHORIZED IN WRITING BY KOOLTRONIC, INC.



REVISIONS			DATE	APPROVED
S/M	NOTICE	DESCRIPTION		
-	EC 96/98	NEW DRAWING RELEASE	4/19/96	TLR
A	ER 98/58	ADDED OPTIONS: PRESSURE SWITCH, CRANKCASE HTR.	4/22/98	JS
B	EC 00/53	UPDATED COMPRESSOR PICTORALLY AND ASSOC. WIRES	12/11/00	PSK
C	EC 02/5	CHANGED COND FAN WIRE TO BLUE	1/3/02	SDS
D	EC 03/310	ADDED WIRE TERMINATIONS AND LENGTHS	5/20/03	SDS
E	EC 03/328	CHANGED COMP WIRE TERMINATION BLU. WHT.	6/2/03	SDS
F	EC 04/033	CHANGED COMP WIRE TERMINATIONS TO -95, WAS -05	2/4/04	JS
G	EC 05/065	CHANGED COMP WIRE TERMINATION TO -94, WAS -95	2/11/05	JS
H	EC 05/082	ADDED 24" WHITE WIRE 94/94	3/3/05	RDW/MEH
J	EC 07/1008	CHANGED ALL FAN WIRES TO BLK. CHANGED COND FAN TO 30" CHANGED FAN WIRE TERMINALS TO -04 ON (J) WIRES	1/2/08	JS/RDM

DIMENSIONS DESIGNATED ARE IN INCHES.		DATE	
TOL. ON	INCHES	DESIGNED	CHECKED
XX	± .02	John Reynolds	5/23/03
XXX	± .010	ENG.	
ANGULAR	± 1/2°	WFG. ENG.	

DIMENSIONS DESIGNATED ARE IN MILLIMETERS.		DATE	
TOL. ON	MM	DESIGNED	CHECKED
XX	± .02	John Reynolds	4/19/96
XXX	± .010	ENG.	
ANGULAR	± 1/2°	WFG. ENG.	

TITLE	WIRING DIAGRAM
CODE IDENT. NO.	06223
SCALE	1/4"=1"
APPROVED	B
DATE	5/20/03
CD. REF.	WD-232
SHEET	1 OF 1



WIRING DIAGRAM
AIR CONDITIONER

K2A4CO.ONM APPROVED BY 5/20/03