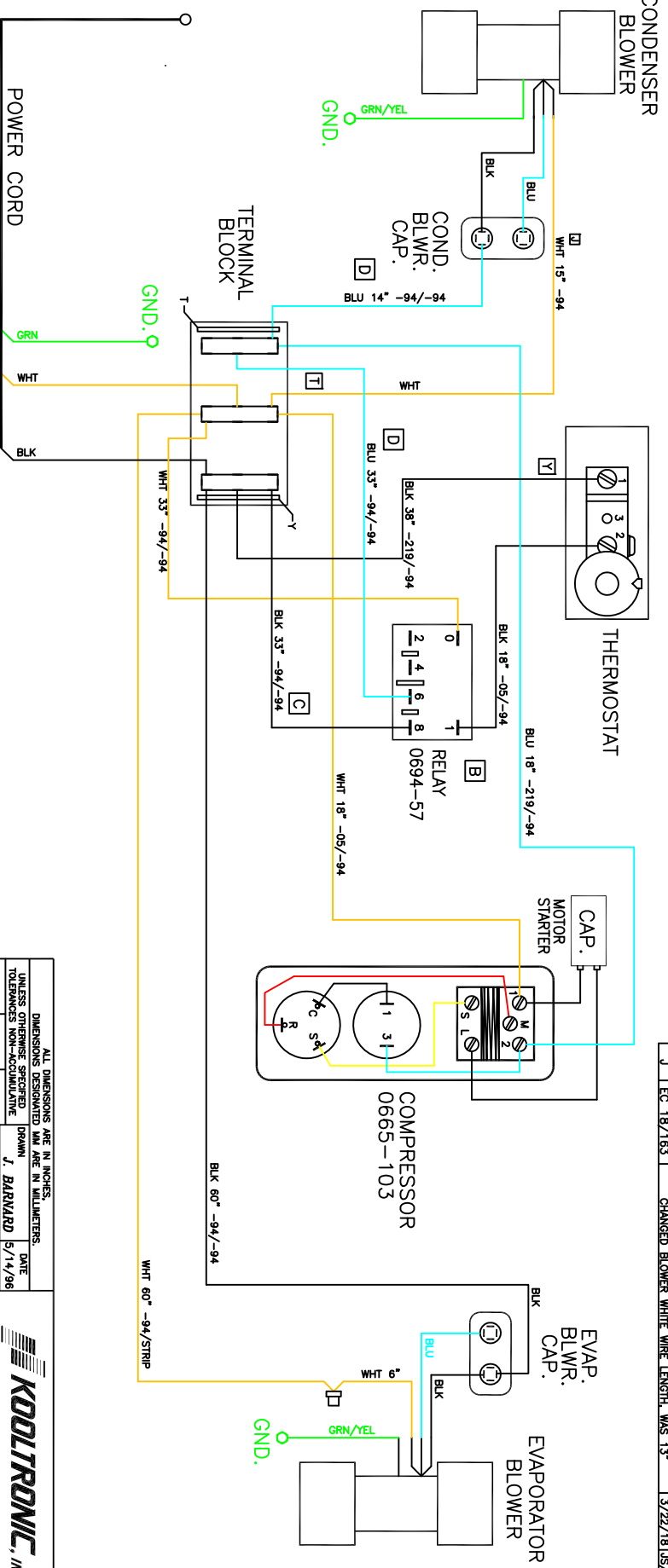


THIS DOCUMENT IS THE PROPERTY OF KOOLTRONIC, INC. AND CONTAINS PROPRIETARY AND CONFIDENTIAL INFORMATION WHICH MUST NOT BE DUPLICATED, USED OR DISCLOSED TO OTHERS, EXCEPT AS EXPRESSLY AUTHORIZED IN WRITING BY KOOLTRONIC, INC.



REVISIONS			
SYM	NOTICE	DESCRIPTION	DATE
-	EC 96/98	NEW DRAWING RELEASE	6/24/96
A	EC 98/190	REV. WIRING TO TSTAT.	9/29/98
B	EC 99/1	REPLACED P.B. RELAY WITH OMRON RELAY -57	1/29/99
C	EC 99/1	REMOVED T-STAT TO RELAY WIRE ADDED WIRE FROM RELAY TO T-BLOCK	1/29/99
D	EC 00/53	CHGD. COMP. BLK. RELAY #6, AND THE COND. CAP. JUMPER WIRES TO BLUE	3/14/00
E	EC 03/403	CHGD. BLU 12" TO BLU 14", ADDED WIRE TERMINATIONS.	7/23/03
F	EC 07/005	ADDED TERMINAL 0459-219 TO 38" BLK WIRE	1/10/07
G	EC 07/230	COMP BLU 18" WIRE -219/-94 WAS -05/-94	5/17/07
H	EC 14/170	REMOVED SURGE SUPPRESSOR	6/16/14
J	EC 18/183	CHANGED BLOWER WHITE WIRE LENGTH, WAS 13"	3/22/18

DIMENSIONS DESIGNED IN INCHES. DATE			
TOL. ON	INCHES	MM	DATE
.XX	± .02	±	3/22/18
.XXX	± .010	±	3/22/18
ANGULAR	± 1/2°		

KOOLTRONIC, INC.
 4029 W. 14th St. #100
 VAN Nuys, CA 91411 USA

WIRING DIAGRAM
AIR CONDITIONER

DATE	APPROVED	SCALE	SIZE	DWG. NO.	REV.
5/23/18	Joe Milko	NONE	B	WD-244	J
PART NO. KA4C6NP47R		SCALE		WD-244	1 OF 1