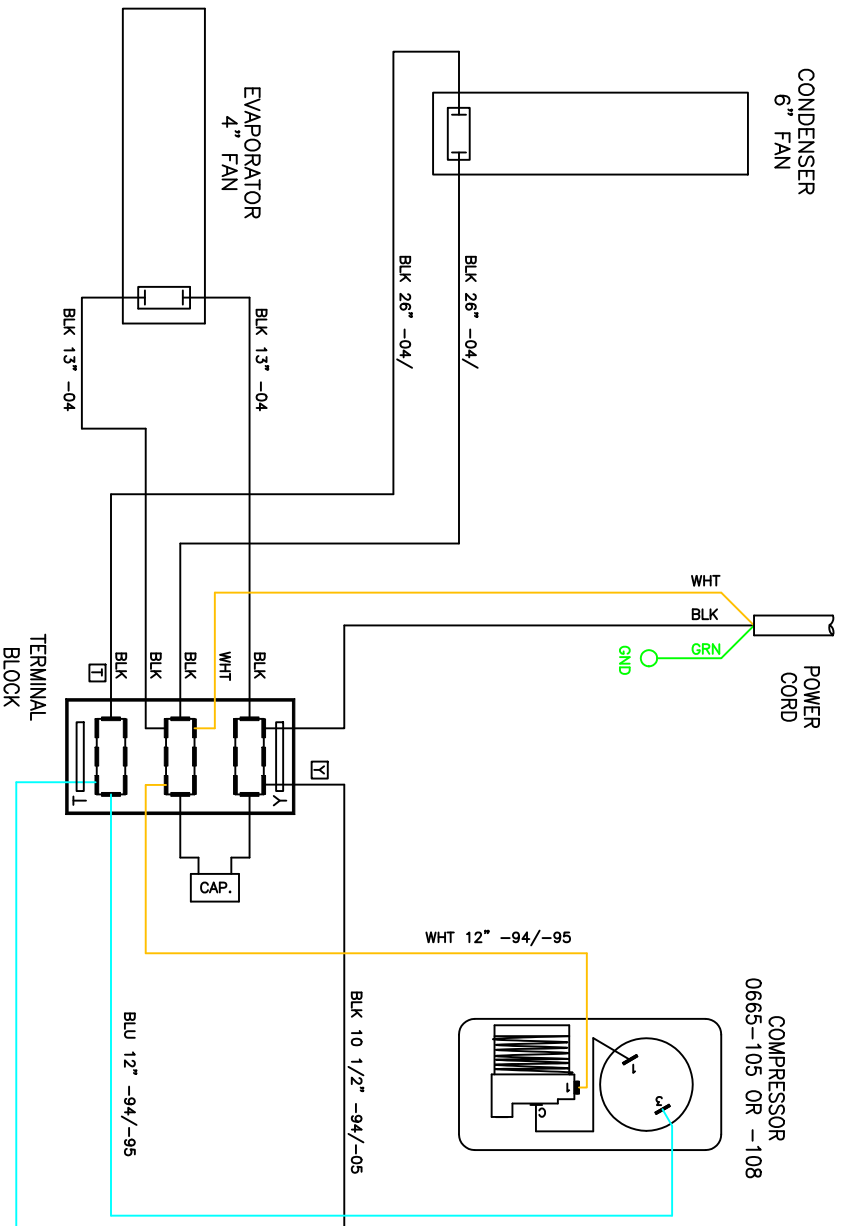


THIS DOCUMENT IS THE PROPERTY OF KOOLTRONIC, INC. AND CONTAINS PROPRIETARY AND CONFIDENTIAL INFORMATION WHICH MUST NOT BE DUPLICATED, USED OR DISCLOSED TO OTHERS, EXCEPT AS EXPRESSLY AUTHORIZED IN WRITING BY KOOLTRONIC, INC.



REV	DATE	APPROVED	DESCRIPTION
-	09/19/96	SDS	NEW DRAWING RELEASE
A	07/17/00	MRM	CHANGED T <sup>1</sup> SIDE TERMINAL BLOCK WIRES TO BLUE; PICTORALLY CHANGED COMPRESSOR; ADDED WIRE LENGTHS; AND UPDATED THE UNIT DESIGNATION, WAS K2A4C1.2MM1.
B	5/23/05	SDS	12" BLUE WIRE WAS 10 1/2"
C	3/3/06	RDW	ADDED 12" BLUE WIRE WAS 8 1/2"
D	3/26/08	RDW	ADDED 12" WHITE WIRE WAS 8 1/2" ADDED BLK 26" -04/ EVAP FAN WIRES

DIMENSIONS DESIGNATED MM ARE IN MILLIMETERS.		DIMENSIONS DESIGNATED INCHES ARE IN INCHES.	
TOL. ON INCHES	± .02	TOL. ON MILLIMETERS	± .10
TOL. ON MILLIMETERS	± .10	TOL. ON INCHES	± .02
UNLESS OTHERWISE SPECIFIED		UNLESS OTHERWISE SPECIFIED	
TOLERANCES NON-CUMULATIVE		TOLERANCES NON-CUMULATIVE	
DATE	09/19/96	DATE	09/19/96
DRAWN	STEVIE S.	DRAWN	STEVIE S.
CHECKED		CHECKED	
ENG.		ENG.	
DATE	3/4/08	DATE	3/4/08
DWG. NO.	WD-260	DWG. NO.	WD-260
REV.	D	REV.	D
SHEET	1 OF 1	SHEET	1 OF 1
SCALE	NONE	SCALE	NONE
APPROVED	B KREBELLY	APPROVED	B KREBELLY
TITLE	WIRING DIAGRAM AIR CONDITIONER	TITLE	WIRING DIAGRAM AIR CONDITIONER
CODE IDENT. NO.	06223	CODE IDENT. NO.	06223
SIZE	B	SIZE	B
WD-260		WD-260	
3/7/08		3/7/08	
K2A4C1.2MM1S		K2A4C1.2MM1S	
K2A4C1.2MM1S		K2A4C1.2MM1S	



HOOPERVILLE, NJ VERMONT, CA USA

TOP