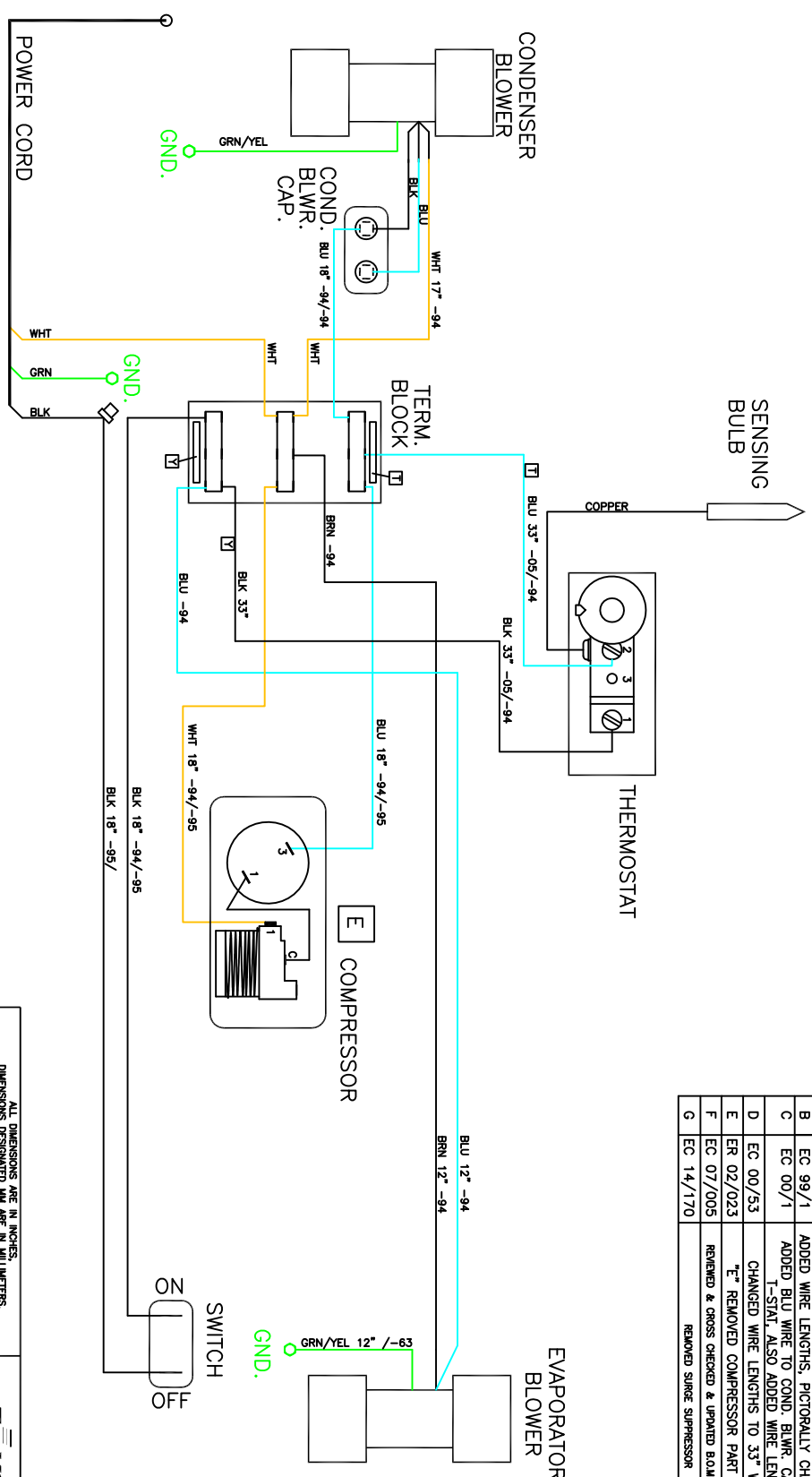


THIS DOCUMENT IS THE PROPERTY OF KOOLTRONIC, INC. AND CONTAINS PROPRIETARY AND CONFIDENTIAL INFORMATION WHICH MUST NOT BE DUPLICATED, USED OR DISCLOSED TO OTHERS, EXCEPT AS EXPRESSLY AUTHORIZED IN WRITING BY KOOLTRONIC, INC.



REVISIONS				
SYM	NOTICE	DESCRIPTION	DATE	APPROVED
-	ER 97/38	NEW DRAWING RELEASE	3/10/97	SDS
A	EC 98/216	REMOVED CRANKCASE HEATER FROM DWG.	11/3/98	SDS
B	EC 99/1	ADDED WIRE LENGTHS, PICTORALLY CHANGED COMP. T-STAT, ALSO ADDED WIRE LENGTHS.	2/8/99	RL
C	EC 00/1	ADDED BLU WIRE TO COND. BLWR. CAP. COMP. & T-STAT, ALSO ADDED WIRE LENGTHS.	6/21/00	RDM
D	EC 00/53	CHANGED WIRE LENGTHS TO 33" WERE 38"	12/6/00	SDS
E	ER 02/023	"E" REMOVED COMPRESSOR PART NUMBER	3/11/02	RDM
F	EC 07/005	REMOVED & CROSS CHECKED & UPDATED B.O.M. PER WD-294	1/31/07	RDM
G	EC 14/170	REMOVED SURGE SUPPRESSOR	8/25/14	LM/

ALL DIMENSIONS ARE IN INCHES.
DIMENSIONS DESIGNATED MM ARE IN MILLIMETERS.

UNITS	CONTRACT-449BL	APPROVED	DATE
	K44C1-449BL5	Joe Milko	8/26/14

KOOLTRONIC, INC.
ROPERVILLE, NJ VERBODIA, CA USA

WIRING DIAGRAM
AIR CONDITIONER

CODE	ISSUE NO.	SIZE	DWG. NO.	REV.
06223	B		WD-294	G

1 2 3 4 5 6 7 8

F E D C B A