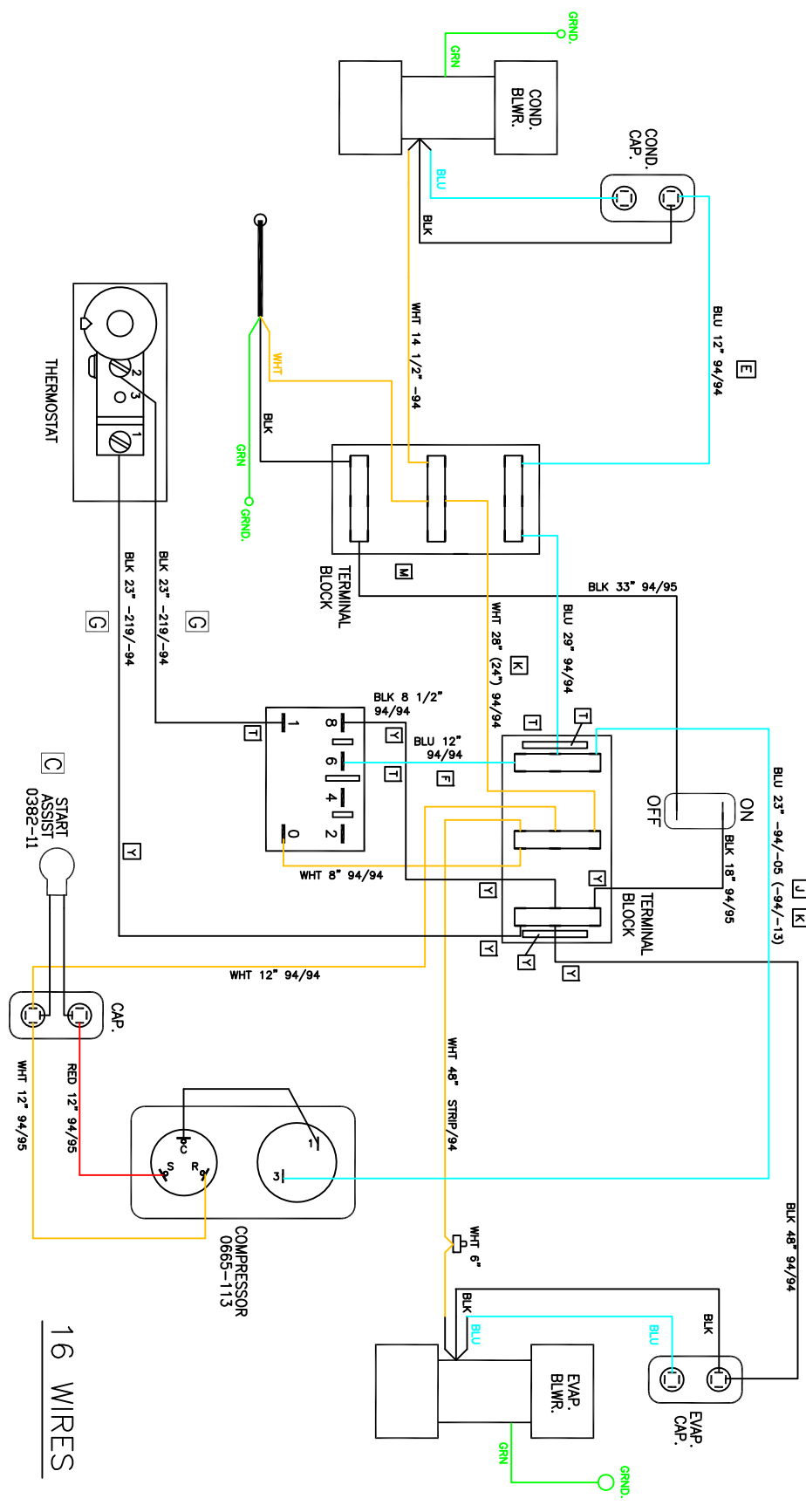
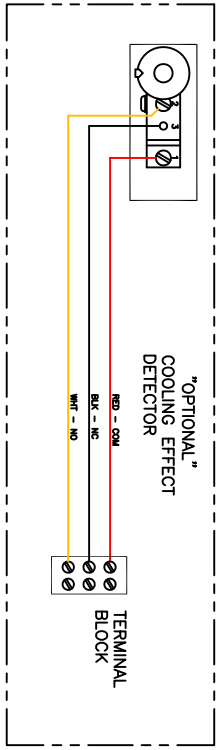


THIS DOCUMENT IS THE PROPERTY OF KOOLTRONIC, INC. AND CONTAINS PROPRIETARY AND CONFIDENTIAL INFORMATION WHICH MUST NOT BE DUPLICATED, USED OR DISCLOSED OTHER THAN AS EXPRESSLY AUTHORIZED BY KOOLTRONIC, INC.

L	ER 08/063	ADDED "OPTIONAL" COOLING EFFECT DETECTOR	8/29/08	RM
M	EC 17/521	REMOVED CAP/SURGE SUPPRESSER	10/11/17	UM/95S

SYN	NOTICE	DESCRIPTION	DATE	APPROVED
-	EC 98/2	NEW DRAWING RELEASE	4/8/98	SJS
A	EC 99/256	SWITCHED T-STAT WIRE CONNECTIONS	12/15/98	RL
B	EC 99/1	CHANGED RELAY FROM P.B. TO OMRON AND ADDED WIRE LENGTHS	1/29/99	SJS
C	EC 99/1	ADDED START ASSIST 0382-11 TO DRAWING	9/22/99	SJS
D	EC 01/251	REV. RELAY WIRES: D1 #6 WAS TO #8, D2 #8 WAS TO #6	10/15/01	SJS/MP
E	EC 04/022	REVISED COND. BLWR WIRE TO MATCH BOM.	1/28/04	DM-
F	EC 05/290	12" BLU WIRE WAS 8 1/2"	7/12/05	SJS
G	EC 07/131	23" BLK WIRE -219/-94 WAS 18"-05/-94	2/9/07	SJS
H	EC 07/231	28" WHT WIRE -94/-94 WAS 24"-94/-94	5/17/07	RL/
I	EC 07/245	23" BLU WIRE -13/-94 WAS 12"-13/-94	5/23/07	SL/
J	EC 07/245	CHANGED TERMINALS ON 23" BLUE WIRE WAS -13/-94	5/23/07	SL/
K	ER 08/046	ADDED ALTERNATE WIRE LENGTH AND TERMINATION	5/31/07	SL/



16 WIRES



WIRING DIAGRAM

ALL DIMENSIONS ARE IN INCHES. DIMENSIONS DESIGNATED MM ARE IN MILLIMETERS. UNLESS OTHERWISE SPECIFIED TOLERANCES NON-ACCUMULATIVE		DRAWN STEVE S. DATE 4/9/98
TOL. ON INCHES .XX ± .02 ± .XXX ± .010 ± ANGULAR ± 1/2° ±	CHECKED JERRY S. DATE 9/5/08	DATE 4/9/98
MATERIAL UNIT K2A4C8-12PS9L	ENG. JIM DIELER DATE 9/5/08	DATE 9/5/08
APPROVED BRUCE KREELEY DATE 9/5/08	CODE IDENT. NO. 06223	DWG. NO. WD-353
SCALE NONE	CND. REF. WD000239	SHEET 1 OF 1