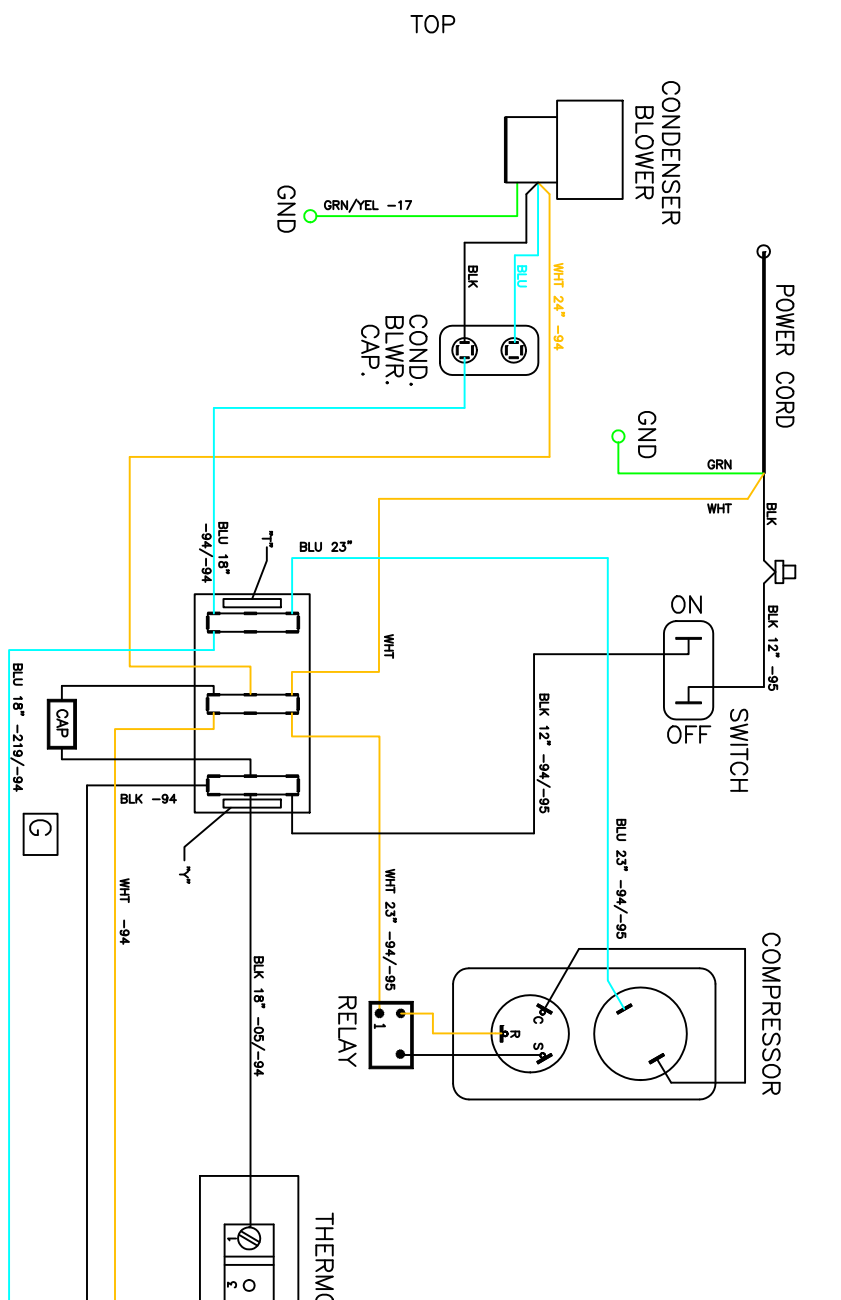



THIS DOCUMENT IS THE PROPERTY OF KOOLTRONIC, INC. AND CONTAINS PROPRIETARY AND CONFIDENTIAL INFORMATION WHICH MUST NOT BE DUPLICATED, USED OR DISCLOSED TO OTHERS, EXCEPT AS EXPRESSLY AUTHORIZED IN WRITING BY KOOLTRONIC, INC.



REVISIONS			DATE	APPROVED
S/M	NOTICE	DESCRIPTION		
-	EC 9/7/07	NEW DRAWING RELEASE	7/8/98	JMB
A	EC 99/1	ADDED WIRES, UMBRELAS AND WIRE LENGTHS AND CHANGED WIRE COLORS.	1/12/99	RL
B	EC 00/53	CHANGED "T" SIDE WIRES TO BLUE	3/23/00	RL
C	EC 00/71	"C" ADDED CAPACITOR TO EVAP BLOWER	6/13/00	RDM
D	EC 01/13	PICTORIALLY CHANGED THE (2) BLOWERS THEY WERE REPRESENTED AS DOUBLE BLOWERS	9/26/01	WRM, BKK
E	EC 03/179	ADDED LENGTHS AND TERMINATIONS TO WIRES	5/7/03	MEM
F	EC 04/285	REVISED COND BLWR WIRES.	9/1/04	DW-
G	EC 06/103	BLU 18" WIRE -94/-219 WAS -05/-94	4/8/06	SDS

DIMENSIONS DESIGNATED MM ARE IN MILLIMETERS.		DATE	
LIMITS OTHER THAN SPECIFIED		DRAWN	
TOLERANCES NON-CUMULATIVE		J. BARNARD	
TOL. ON INCHES	± .02	CHECKED	RDM
TOL. ON MM	± .010	ENG.	4/17/06
XXX	±	WFG. ENG.	
ANGULAR	± 1/2°		
MATERIAL			
TITLE	 HOOPERVILLE, NJ VERMONT, CA USA		
TITLE	WIRING DIAGRAM		
TITLE	KA4C4NP28L		
CODE IDENT. NO.	SIZE	DWG. NO.	REV.
06223	B	WD-387	G
SCALE NONE	CAD. REF. WDD000312	SHEET 1 OF 1	
APPROVED	B KRELELEY	5/1/06	
ALL DIMENSIONS ARE IN INCHES.			
KA4C4NP28L			