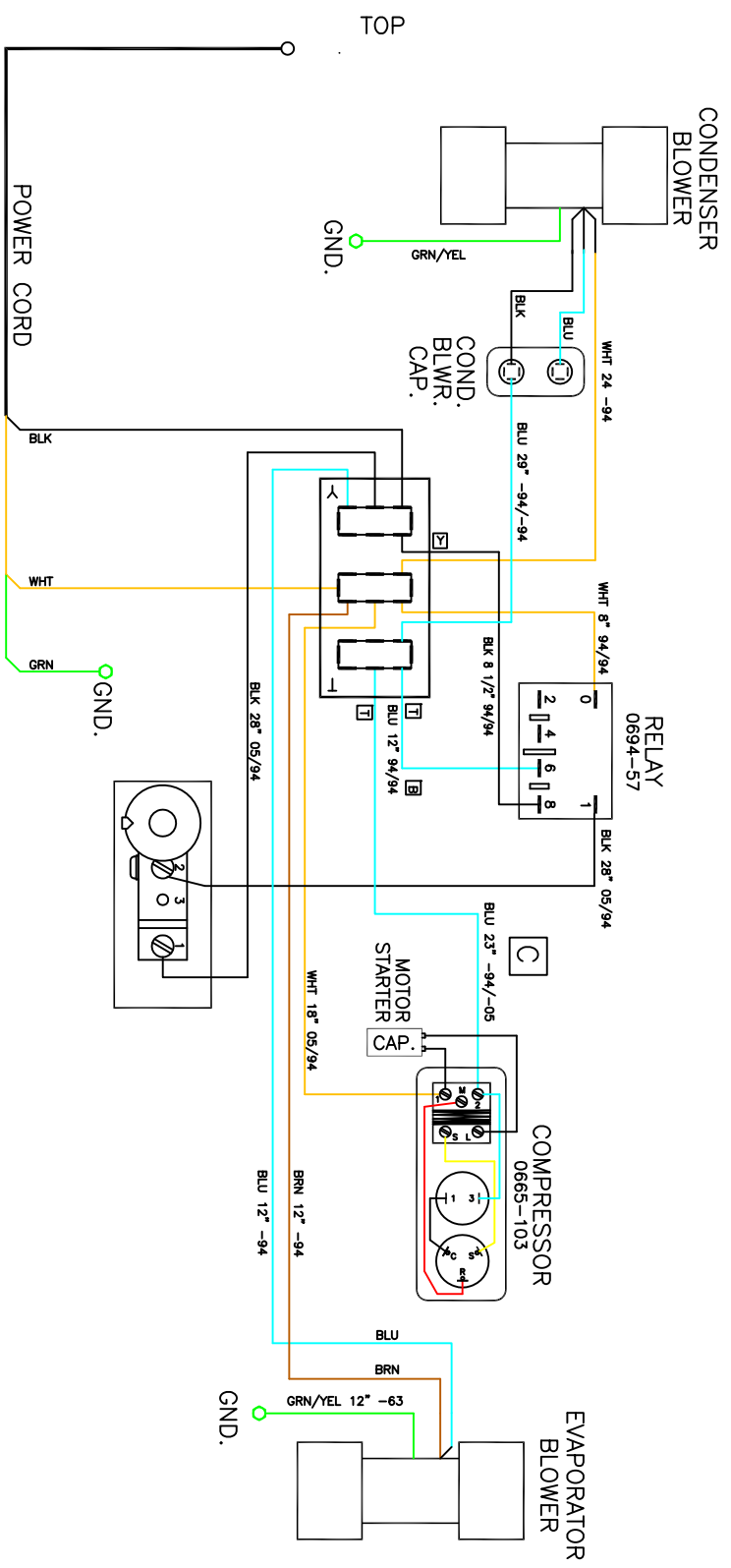


THIS DOCUMENT IS THE PROPERTY OF KOOLTRONIC, INC. AND CONTAINS PROPRIETARY AND CONFIDENTIAL INFORMATION WHICH MUST NOT BE DUPLICATED, USED OR DISCLOSED TO OTHERS, EXCEPT AS EXPRESSLY AUTHORIZED IN WRITING BY KOOLTRONIC, INC.

REVISIONS				
SYM	NOTICE	DESCRIPTION	DATE	APPROVED
-	EC 98/251	NEW DRAWING RELEASE	12/8/98	RL
A	EC 00/01	REV WIRE LENGTHS BLK 28" WAS 23"	8/21/00	SDS
B	EC 05/290	12" BLU WIRE WAS 8 1/2"	7/11/05	SDS
C	EC 06/103	BLU 23" -94/-05 WAS 18" -05/-94	4/6/06	SDS
D	EC 14/170	REMOVED SURGE SUPPRESSOR	8/25/14	LM/



ALL DIMENSIONS ARE IN INCHES.
DIMENSIONS DESIGNATED MM ARE IN MILLIMETERS.

TOLERANCE	FINISH	DATE
± .02	CHECKED	4/17/06
± .010	ENG.	
± 1/2"	MFG. ENG.	

KOOLTRONIC, INC.
ROPERMILL, NJ VERBODIA, CA USA

WIRING DIAGRAM
AIR CONDITIONER

DATE	5/1/06	SCALE	N/A
APPROVED	B KREBLEY	CODE	06223
DATE		SIZE	B
DATE		DWG. NO.	WD-443
DATE		SHEET	1 OF 1