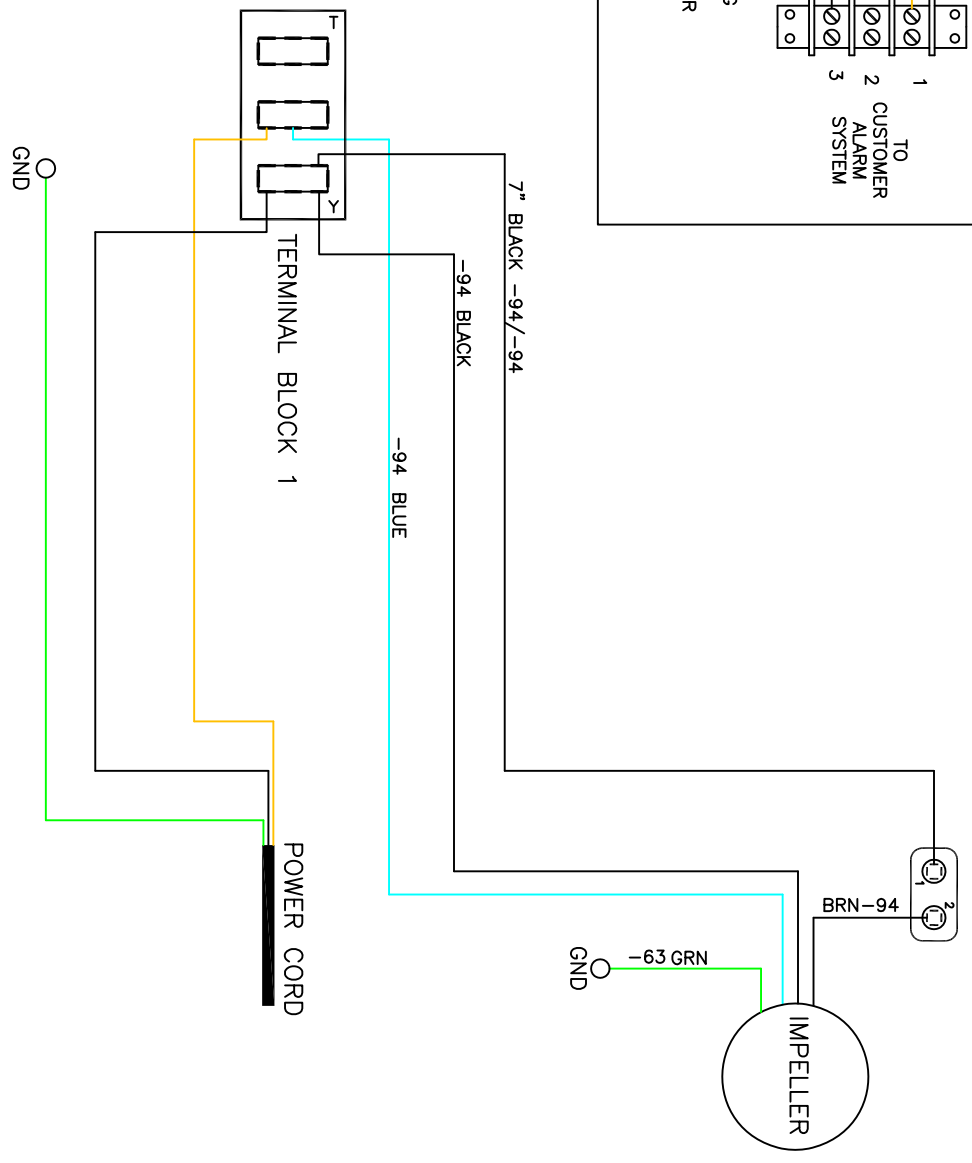
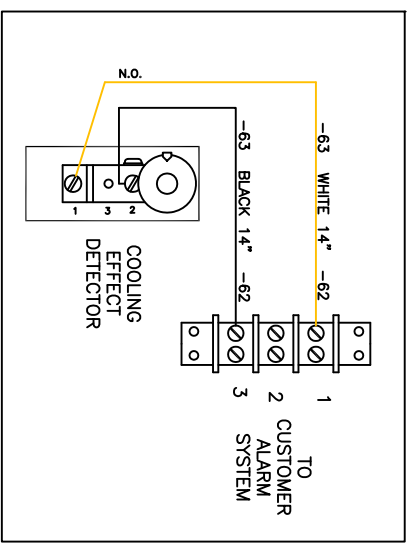


THIS DOCUMENT IS THE PROPERTY OF KOOLTRONIC, INC. AND CONTAINS PROPRIETARY AND CONFIDENTIAL INFORMATION WHICH MUST NOT BE DUPLICATED, USED OR DISCLOSED OTHER THAN AS EXPRESSLY AUTHORIZED BY KOOLTRONIC, INC.

"B" OPTION



SYM	NOTICE	DESCRIPTION	DATE	APPROVED
-	ER 00/126	NEW DRAWING RELEASE	1/9/01	JS
A	ER 01/061	ADDED KPHE24 TO TITLE BLOCK "UNIT"	7/24/01	JS
B	EC 09/413	DELETE CORD WIRE TERMINATIONS.	6/21/08	DW-
C	ER 11/083	ADDED K-JNHE24 TO UNIT BLOCK	1/17/12	JS-
D	ER 15/070	ADDED "B" OPTION	9/29/18	JS-
E	EC 18/145	MOVED WIRES AWAY FROM END TERMINALS ON TERMINAL BLOCK	3/9/18	JS-SGS

<p>ALL DIMENSIONS ARE IN INCHES. DIMENSIONS DESIGNATED MM ARE IN MILLIMETERS. UNLESS OTHERWISE SPECIFIED TOLERANCES NON-ACCUMULATIVE</p>		<p>DRAWN JERRY STEDNICK</p>	<p>DATE 1/9/01</p>
TOL. ON	INCHES	MM	
.XX	± .02	±	
.XXX	± .010	±	
ANGULAR	± 1/2°		
<p>CHECKED Steve Schmiere</p>		<p>DATE 4/18/12</p>	
<p>ENG. Ron Kaufman</p>		<p>DATE 7/12/12</p>	
<p>APPROVED Joe M/Bruce K</p>		<p>DATE 9/17/12</p>	
UNIT	K-JNHE24		
	KPHE24 & KPHE30		
SCALE	NONE		
CODE IDENT. NO.	06223		
SIZE	C		
DWG. NO.	WD-645		
CAD. REF.	WD-645		
SHEET	1	OF	1

KOOLTRONIC, INC.
HOPWELL, NJ VERMONT, CA USA

WIRING DIAGRAM
HEAT EXCHANGER

F
E
D
C
B
A

1 2 3 4 5 6 7 8