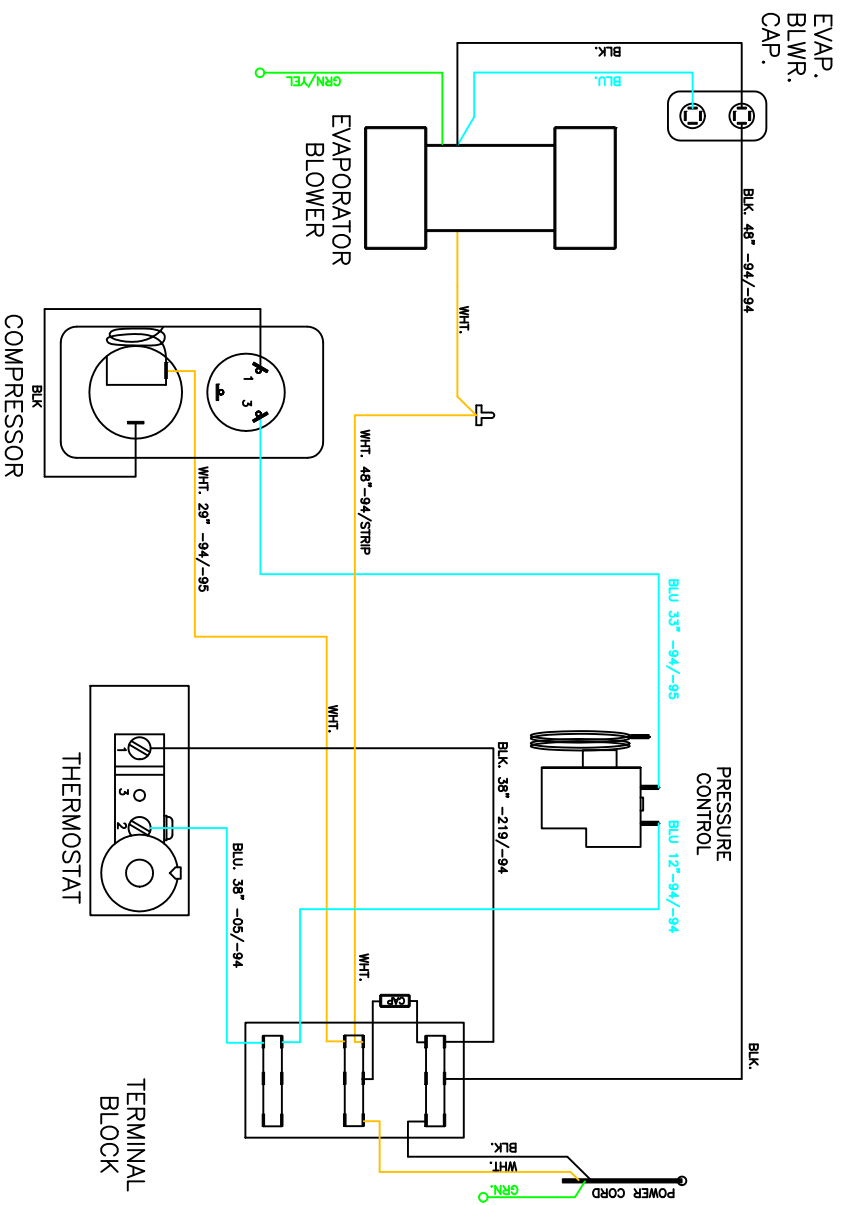


THIS DOCUMENT IS THE PROPERTY OF KOOLTRONIC, INC. AND CONTAINS PROPRIETARY AND CONFIDENTIAL INFORMATION WHICH MUST NOT BE DUPLICATED, USED OR DISCLOSED TO OTHERS, EXCEPT AS EXPRESSLY AUTHORIZED IN WRITING BY KOOLTRONIC, INC.



REVISIONS		DATE	APPROVED
SYM	NOTICE		
-	ER 03/26/7	06/24/03	DMW
A	ER 04/16/5	10/5/04	DW-
B	EC 07/00/5	1/10/07	RDW

DIMENSIONS DESIGNATED MM ARE IN MILLIMETERS.		DATE	
DIMENSIONS DESIGNATED INCHES ARE IN INCHES.		06/24/03	
TOLERANCES NON-CUMULATIVE		DRAWN M.E.M.	
TOL. ON INCHES	MM	CHECKED JS	06/26/03
.XX	± .02	ENG. BM	7/1/03
.XXX	± .010	WFG. ENG.	
ANGULAR	± 1/2°		
MATERIAL		CODE IDENT. NO. SIZE DWG. NO.	
K44C2-SWNP33		06223 B WD-852	
DATE		CND. REF. WD-852 SHEET 1 OF 1	
APPROVED BKK		7/1/03	



WIRING DIAGRAM  
AIR CONDITIONER

HO-298-BLA, NY VENTURA, CA USA

TOP