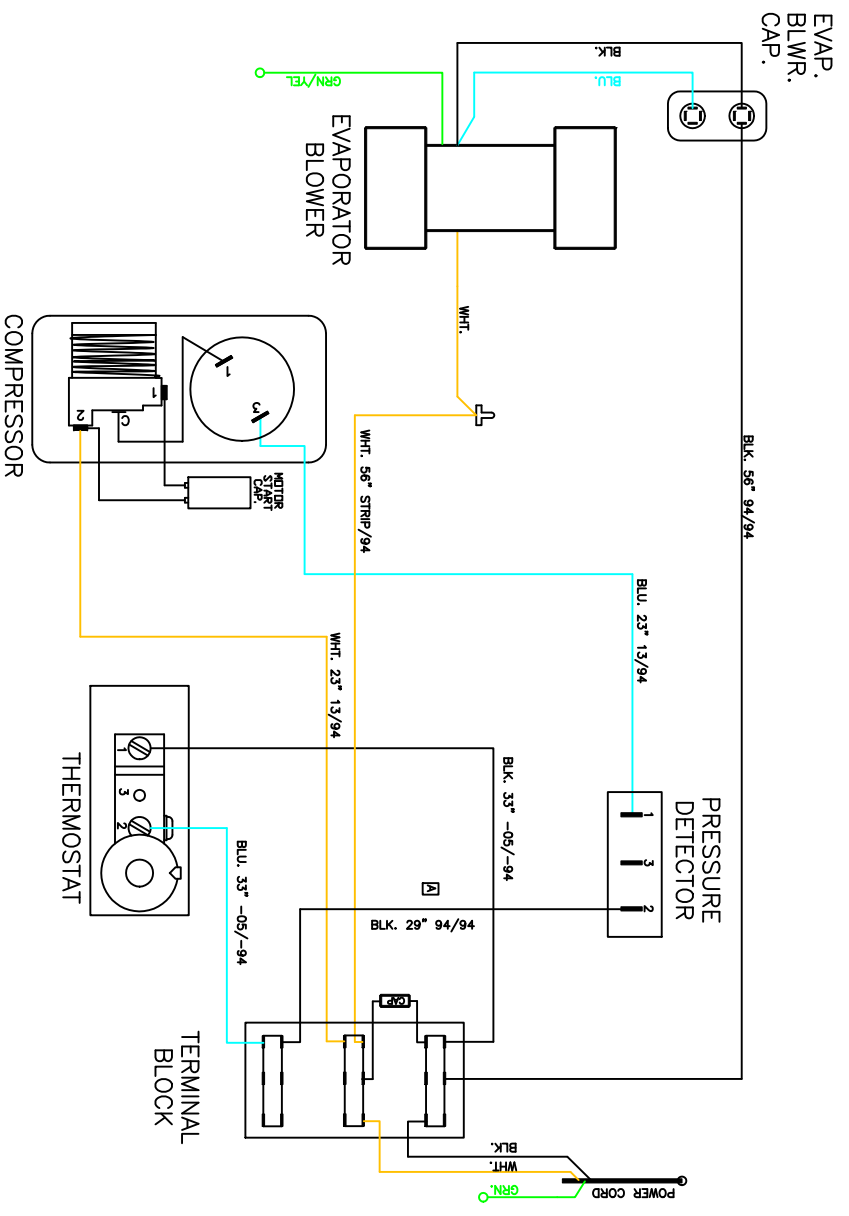


THIS DOCUMENT IS THE PROPERTY OF KOOLTRONIC, INC. AND CONTAINS PROPRIETARY AND CONFIDENTIAL INFORMATION WHICH MUST NOT BE DUPLICATED, USED OR DISCLOSED TO OTHERS, EXCEPT AS EXPRESSLY AUTHORIZED IN WRITING BY KOOLTRONIC, INC.



REVISIONS		DESCRIPTION	DATE	APPROVED
SYM	NOTICE			
-	EC 04/28/7	NEW DRAWING RELEASE	9/2/04	HEU/
A	EC 09/02/7	29\"/>		

DIMENSIONS DESIGNATED MM ARE IN MILLIMETERS.		DATE	
DIMENSIONS DESIGNATED INCHES ARE IN INCHES.		9/2/04	
TOLERANCES UNLESS OTHERWISE SPECIFIED		M.E.M.	
TOL. ON INCHES		9/19/04	
TOL. ON MILLIMETERS		ENG.	
.XX ± .02 ±		J.S./D.F.	
.XXX ± .010 ±		MFG. ENG.	
ANGULAR ± 1/2° ±			
MATERIAL		TITLE	
K2A4C2-4WNP36		WIRING DIAGRAM	
APPROVED B. KRELELEY 9/20/04		AIR CONDITIONER	
DRAWN M.E.M. 9/2/04		CODE IDENT. NO. SIZE DWG. NO.	
CHECKED J.S./D.F. 9/19/04		06223 B WD-989	
ENG. 9/19/04		C.D. REF. WD-989 SHEET	
MFG. ENG.		1 OF 1	



HOOPERVILLE, NJ VENTNORA, CA USA

7 Wires

TOP