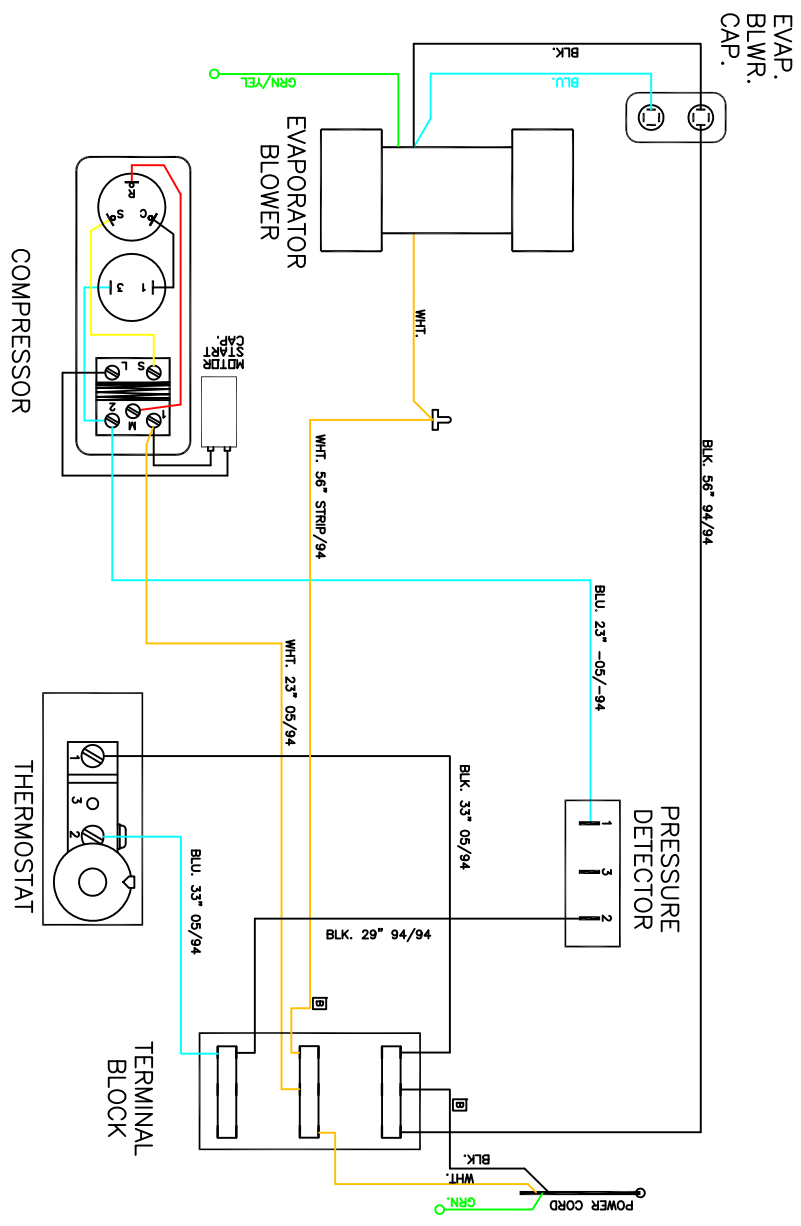


THIS DOCUMENT IS THE PROPERTY OF KOOLTRONIC, INC. AND CONTAINS PROPRIETARY AND CONFIDENTIAL INFORMATION WHICH MUST NOT BE DUPLICATED, USED OR DISCLOSED OTHER THAN AS EXPRESSLY AUTHORIZED BY KOOLTRONIC, INC.



REV	NOTICE	DESCRIPTION	DATE	APPROVED
1	EC 04/20	NEW DRAWING RELEASE	7/24/14	WJ
2	EC 04/20	REVISED DRAWING TO MATCH (R20) 09-2014	8/1/14	WJ
3	EC 04/20	REVISED DRAWING TO MATCH (R20) 09-2014	8/1/14	WJ

7 Wires

<b>KOOLTRONIC, INC.</b> 10000 WINDYBROOK DR WINDYBROOK, MD 21791 TEL: 410-326-1000 FAX: 410-326-1001 WWW.KOOLTRONIC.COM		<b>WIRING DIAGRAM</b> AIR CONDITIONER WD-990 1 of 1	
DATE: 08/22/14 DRAWN BY: WJ CHECKED BY: WJ APPROVED BY: WJ	DATE: 08/22/14 DRAWN BY: WJ CHECKED BY: WJ APPROVED BY: WJ	DATE: 08/22/14 DRAWN BY: WJ CHECKED BY: WJ APPROVED BY: WJ	DATE: 08/22/14 DRAWN BY: WJ CHECKED BY: WJ APPROVED BY: WJ