

GUARDIAN/GUARDIANX SERIES DP38 480 VOLT 3-PHASE NEMA 4 or 4X AIR CONDITIONERS

Legacy products are no longer in normal production. Consult factory for availability. Recommended replacement: See *current models*.

Model	NEMA Rating	UL/CUL Listed or Recognized	BTU/H Capacity	95/95 Rating BTU/H	Ambient Temp.		Volts	Hz	Running Amps	Approx. Weight lbs. kg.
					°F Max./Min	°C Max./Min				
K3NA4C5DP38L	4	Listed	5000	4800	131/0	55/-17	480	60	2.0	115 53
K3NA4C5DP38LV	4X	Listed	5000	4800	131/0	55/-17	480	60	2.0	115 53

Rating shown is for operation at maximum ambient temperature.

STANDARD FEATURES

- Baked Powder Finish (NEMA 4 Models)
- Built-in Condensate Evaporator
- CFC-Free Refrigerant
- Closed-Loop Cooling
- Compressor Short Cycle Protector
- Condenser Impeller Speed Controller
- Epoxy-Coated Condenser and Evaporator Coils
- External junction box for permanent wiring connections
- Filter
- Heavy-duty Steel Shell (NEMA 4 models)
- Internal Corrosion Protection (NEMA 4X models)
- NEMA 4 or 4X Rating Maintained (UL50)
- Programmable Temperature Alarm
- Programmable Thermostat
- Phase Sequence/Phase Loss Detector/ Under Voltage Monitor
- Stainless Steel Shell (NEMA 4X models)
- UL/CUL Listed

Find additional information on this model at kooltronic.com, or use the Technical Documents QR code below.



Technical Documents

ACCESSORIES AND OPTIONS

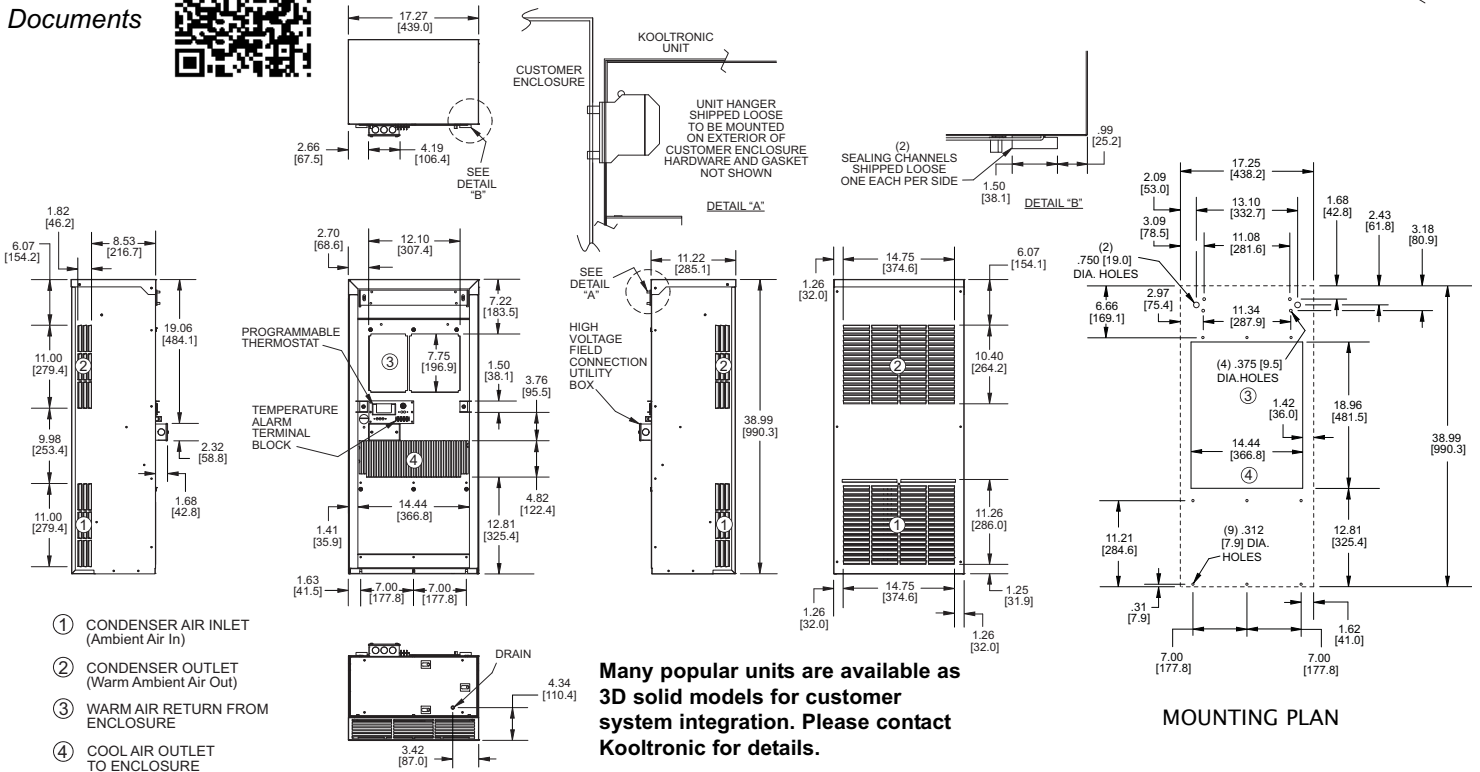
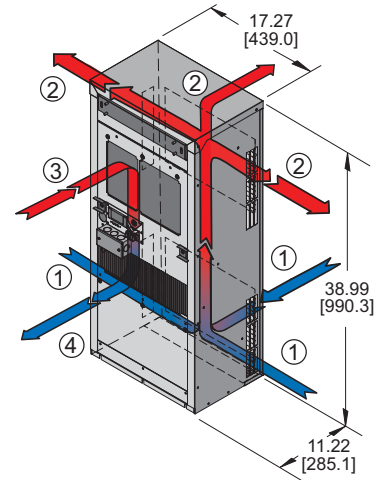
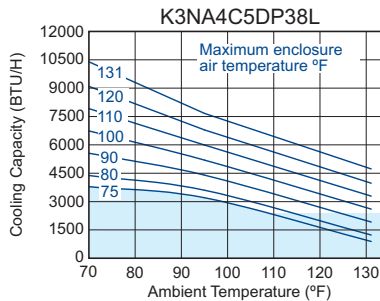
- Adapter
- Enclosure Heater
- Filter Recoating Adhesive
- Remote Monitoring
- Remote Thermostat Relay
- Replacement Filters
- Special paint finishes



NEMA TYPE 4 OR 4X MAINTAINED



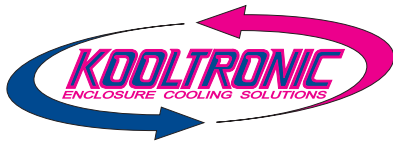
PERFORMANCE



Many popular units are available as 3D solid models for customer system integration. Please contact Kooltronic for details.

Dimensions, inches [mm], are for reference only and are subject to change.

dp38/lv.qxd (10/27/21) (CDR: 20369)



GUARDIAN/GUARDIANX SERIES DP38 480 VOLT 3-PHASE NEMA 4 or 4X AIR CONDITIONERS

DESCRIPTION

The **Guardian/GuardianX 480 Volt** Indoor/Outdoor Air Conditioners are designed specifically for **NEMA 4** or **4X** enclosure applications that require washdown or are subject to outdoor storm conditions. All **Guardian** models have a **NEMA 4** Rating. The **GuardianX**, with the **NEMA 4X** Rating, is offered with a Stainless Steel Shell and Internal Corrosion Protection. These Air Conditioners have been engineered to operate under the most demanding industrial applications. The components used in these models have been specially designed and tested to maintain cooling efficiency in temperature controlled enclosures in bottling plants, the automotive industry and other commercial/manufacturing applications.

With Epoxy-coated condenser coils and tubing, the closed-loop cooling system of the **Guardian/GuardianX 480 Volt Series** offers added security by providing an operating environment safe from harsh ambient conditions.

The features engineered into all of the **Guardian/GuardianX 480 Volt Series** models make them a tamper-resistant choice for external applications. Combined with a NEMA 4 Rating, with all models UL/CUL Listed, the **Guardian Series** is an excellent choice for telecommunications or other outdoor cabinet applications.

FEATURES AND BENEFITS (STANDARD)

All models UL and cUL Listed, a standard of safety.

Built-in condensate evaporator eliminates the need for a drain (normal operation*).

CFC-free refrigerant provides a zero ozone depletion potential.

Closed-loop cooling provides stable temperature control while excluding dust and humidity from the electrical enclosure.

Compressor short-cycling protection extends compressor life.

Condenser impeller cycling provides stable capacity and temperature control.

Condenser filtration to maintain peak thermal performance extends compressor life.

Internal corrosion protection to increase reliability in hostile environments.

NEMA 12, 3R & 4 ratings for compatibility with listed electrical enclosures.

Programmable thermostat capable of remote monitoring and control.

Programmable temperature alarm to alert if early action required.

Stainless steel shell for NEMA 4X corrosive environments (NEMA 4X models).

Both evaporator and condenser coils are epoxy coated, prolonging unit life.

* May not be adequate in extremely high humidity with open or leaky enclosure. Overflow condensate drain fitting and hose are included.

FEATURES AND BENEFITS (OPTIONAL)*

Enclosure heater eliminates damaging condensation, increasing reliability of electrical enclosure components.

Mounting adapter plates are offered to replace another manufacturer's unit.

Remote monitoring provides temperature data for warning of early action required. (Optional Feature on models with a Programmable Thermostat).

Remote thermostat relay for control by a user-supplied control system.

Special paint finishes.

*Contact KOOLTRONIC for more information.

REPLACEMENT FILTERS

The DP38L filter Part No. is 9501F (9.50" x 10.50" x 0.38" [241.3mm x 266.7mm x 9.7mm])

