

# PROFILE SERIES DP43 PANEL-MOUNTED AIR-COOLED AIR CONDITIONER

Legacy products are no longer in normal production. Consult factory for availability.  
Recommended replacement: See *Guardian/GuardianX* or *SlimKool* Series.

## TECHNICAL DATA

Model	NEMA Rating	UL/CUL Listed or Recognized	BTU/H Capacity	95/95 Rating BTU/H	Ambient Temp		Volts	Hz	Running Amps	Approx. Weight	
					°F Max./Min.	°C Max./Min.				lbs	kg
KA4C7DP43L	3R & 12	Listed	7000	5500	131/-20	55/-28	115/100	60/50	13.8	125	57
K2A4C7DP43L	3R & 12	Listed	7000	5500	131/-20	55/-28	230/200	60/50	6.7/6.6	125	57

Rating shown is for operation at maximum ambient temperature.



## STANDARD FEATURES

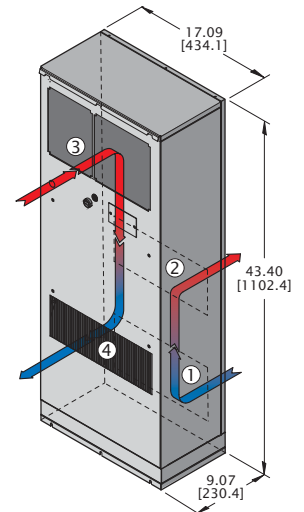
- Baked Powder Finish
- Built-in Condensate Evaporator
- CFC-Free Refrigerant
- Closed-Loop Cooling
- Condenser Impeller Speed Controller
- Epoxy-Coated Condenser Coils
- Heavy-duty Steel Shell
- Low Temperature Control Thermostat
- Mounts Internally or Externally
- NEMA 12 & 3R Ratings Maintained (UL50)
- Six-Foot [1.8m] (minimum) 3-Wire Power Cord
- UL/CUL Listed

## ACCESSORIES AND OPTIONS

- Compressor Short Cycle Protector
- Enclosure Heater
- Filter
- Filter Recoating Adhesive
- Internal Corrosion Protection
- Other voltages and frequencies
- Remote Thermostat Relay
- Replacement Filters
- Special materials or finishes
- Special motors, line cords or connectors
- Stainless Steel Shell
- Temperature Alarm



**NEMA 12 & 3R MAINTAINED**

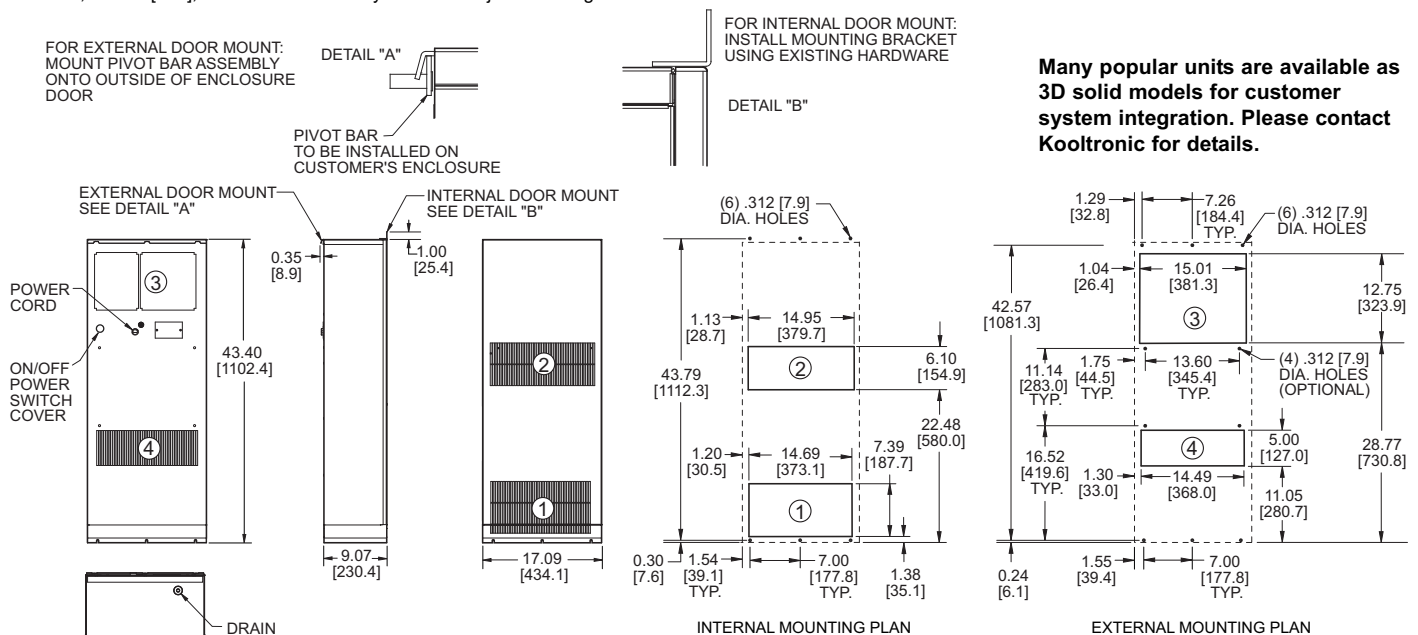


- ① CONDENSER AIR INLET (Ambient Air In)
- ② CONDENSER OUTLET (Warm Ambient Air Out)
- ③ WARM AIR RETURN FROM ENCLOSURE
- ④ COOL AIR OUTLET TO ENCLOSURE

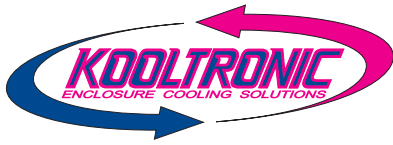


## DRAWINGS

Dimensions, inches [mm], are for reference only and are subject to change.



Many popular units are available as 3D solid models for customer system integration. Please contact Kooltronic for details.



# PROFILE SERIES DP43 PANEL-MOUNTED AIR-COOLED AIR CONDITIONER

## DESCRIPTION

The **Profile Series** Air Conditioners are designed specifically for cooling electronic enclosures and can be used for both indoor and outdoor applications. Engineered to be mounted either outside or inside of an enclosure, the **Profile Series** Air Conditioners are the first Kooltronic models to offer this degree of flexibility.

The narrow depth of the **Profile Series** allows the option of internal mounting, making the units tamper-proof. The durability of the units makes them a tamper-resistant choice for external applications. Combined with a NEMA 12 & 3R Rating, with all models UL/CUL Listed, the **Profile Series** is an excellent choice for telecommunications or other outdoor cabinet applications.

## STANDARD FEATURES

**BAKED POWDER FINISH:** Durable, baked-on powder finish is standard. Other finishes are available.

**CLOSED-LOOP COOLING:** The enclosure interior airflow system is isolated from the ambient airflow system. Ambient air can not invade the cool, dehumidified sensitive component compartment.

**CONDENSER IMPELLER SPEED CONTROLLER:** A speed control sensing bulb located in the condenser air outlet area switches the condenser impeller between minimum and maximum speed based on the ambient temperature. This reduces noise levels, fan cycling, compressor cycling and prevents the unit from freezing.

**GASKETING:** All units are fully gasketed for tight, leakproof installation, in compliance with the NEMA 3R Enclosure Rating.

**HEAVY-DUTY STEEL ENCLOSURE:** Precision-engineered heavy gauge steel construction of all cabinets and blowers insures Air Conditioners will stand up under tough applications.

**INSULATION:** All cold components, lines and the evaporator compartment are insulated with high-performance insulation for maximum efficiency.

**LOW TEMPERATURE CONTROL THERMOSTAT:** Thermostatic Low Temperature Control prevents over-cooling and provides energy-efficient operation.

**MOUNTS INTERNALLY OR EXTERNALLY:** The **Profile Series** Air Conditioners have been engineered to be mounted either outside or inside of an enclosure, offering an unprecedented degree of flexibility. Air conditioners are traditionally mounted on the outside of an enclosure because space inside an enclosure is at a premium. The dimensions of the **Profile Series** make the option of internal mounting a reality, which allows the unit to fit into spaces previously too small for an air conditioner. With such a narrow depth, the **Profile Series** is the thinnest line of indoor/outdoor air conditioners Kooltronic has ever developed.

**POWER:** Available in 115/100 VAC, 60/50 and 230/200 VAC, 60/50 Hz.

**POWER CORD:** All models have six foot [1.8m] 3-wire power cord.

**QUALITY ASSURANCE:** Refrigeration system components are kept sealed until charged with refrigerant; all brazed joints are thoroughly leak-tested; each unit is functionally tested before shipment.

**REFRIGERANT:** CFC-free R134a Refrigerant is used in the **Profile Series DP43** Air Conditioners.

**UL/CUL LISTED:** The **Profile Series DP43** is UL/CUL Listed.

## ACCESSORIES AND OPTIONS\*

**COMPRESSOR SHORT CYCLE PROTECTOR:** Protects the compressor from possible damage due to harmful short cycling.

**ENCLOSURE HEATER:** 120V or 240V fin strip heater, installed singly or ganged, used to maintain desired internal enclosure temperature, under cold operating conditions.

**FILTERS:** Multi-layer grid of sturdy, corrugated aluminum in an aluminum frame. May be reused after washing off accumulations and spraying with A-16 Recoating Adhesive.

**FILTER RECOATING ADHESIVE:** This compound is a superior product for recoating filters after washing. The adhesives penetrate dirt layers to keep the filter surface tacky for longer effective performance between washings.

### Other voltages and frequencies\*

**REPLACEMENT FILTER:** Filter consisting of a multi-layer grid of sturdy corrugated aluminum, securely held in a one-piece aluminum frame. The DP43 filter Part No. 8001F (8.00" x 16.00" x 0.38" [203.2mm x 406.4mm x 9.7mm]).

**TEMPERATURE ALARM:** A thermostat is mounted inside the cabinet and attached to a sensor in the warm air return. When the air temperature increases to the set point, a signal is sent to a terminal block. User-installed wiring from the terminal block to local and/or remote warning devices (*light, bell, siren, etc.*) can be for normally open or closed operation.

### Special materials or finishes\*

### Special motors, line cords or connectors\*

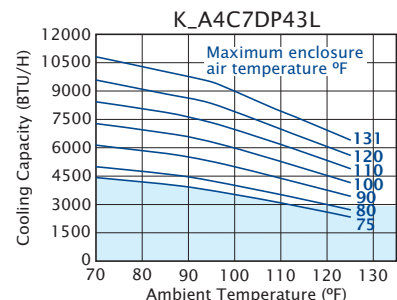
\*Contact KOOLTRONIC for more information.

Find additional information on this model at [kooltronic.com](http://kooltronic.com), or use the Technical Documents QR code below.

Technical Documents



## PERFORMANCE



Operation within shaded area not recommended.