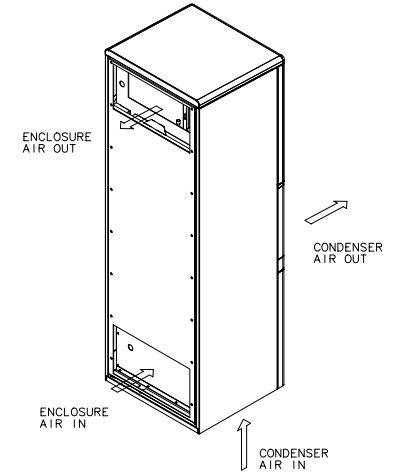
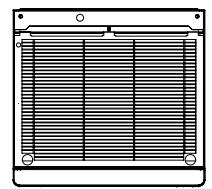
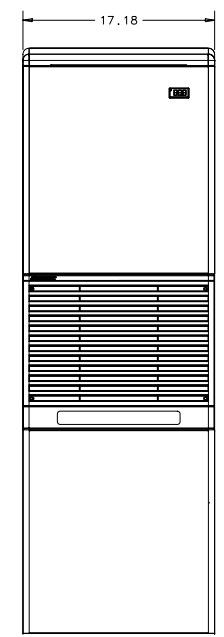
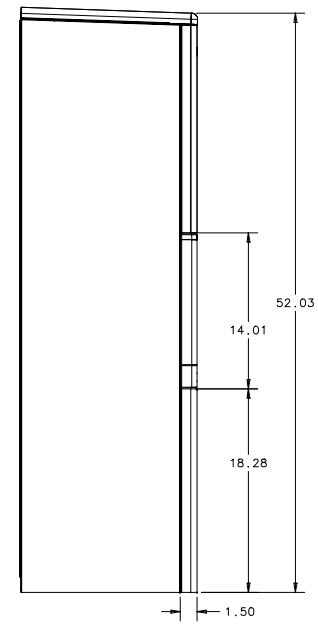
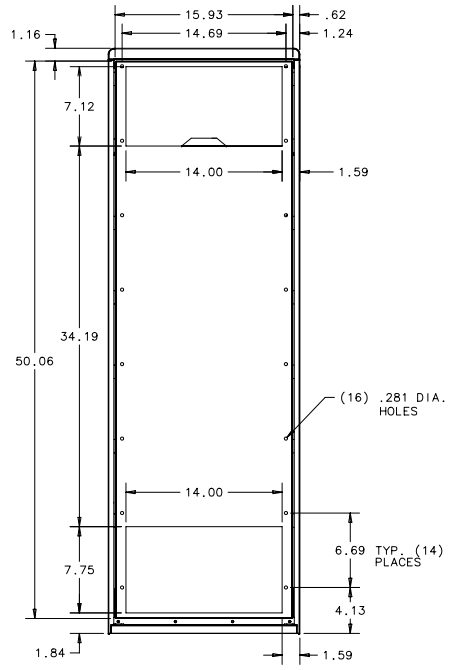
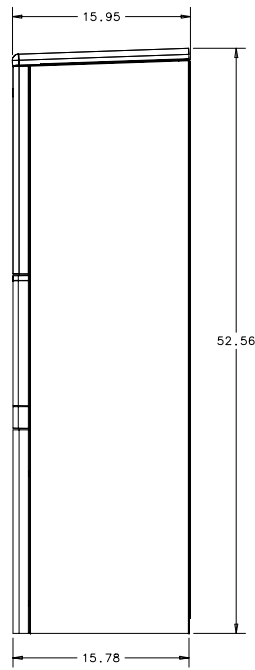


THIS DOCUMENT IS THE PROPERTY OF KOOLTRONIC, INC. AND CONTAINS PROPRIETARY AND CONFIDENTIAL INFORMATION WHICH MUST NOT BE DUPLICATED, USED OR DISCLOSED TO OTHERS, EXCEPT AS EXPRESSLY AUTHORIZED IN WRITING BY KOOLTRONIC, INC.

SYM		NOTICE		REVISIONS		DESCRIPTION		DATE	APPROVED
-	-	-	-	-	-	-	-	1/24/00	SDS
				PERLIMINARY DRAWING RELEASE P3254					



ISOMETRIC VIEW
SCALE: .12=1

ALL DIMENSIONS ARE IN INCHES UNLESS OTHERWISE SPECIFIED				UNLESS OTHERWISE SPECIFIED TOLERANCES ARE AS FOLLOWS:		DRAWN BY: STEVE S.		DATE: 1/24/00	
TOL.	IN	MM	CHECKED	ENG.	MFG. ENG.	TITLE: GENERAL ARRANGEMENT RP52			
.XX	± .02	±				HOPEWELL, NJ VENTURA, CA USA			
.XXX	± .010	±				MATERIAL: UNIT RP52			
ANGULAR	± 1/2					DWG. NO.: 200052-00-00			
						REV: -			
						SCALE: 1/8"=1"			
						SHEET 1 OF 1			