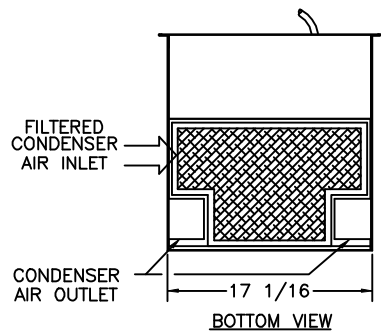
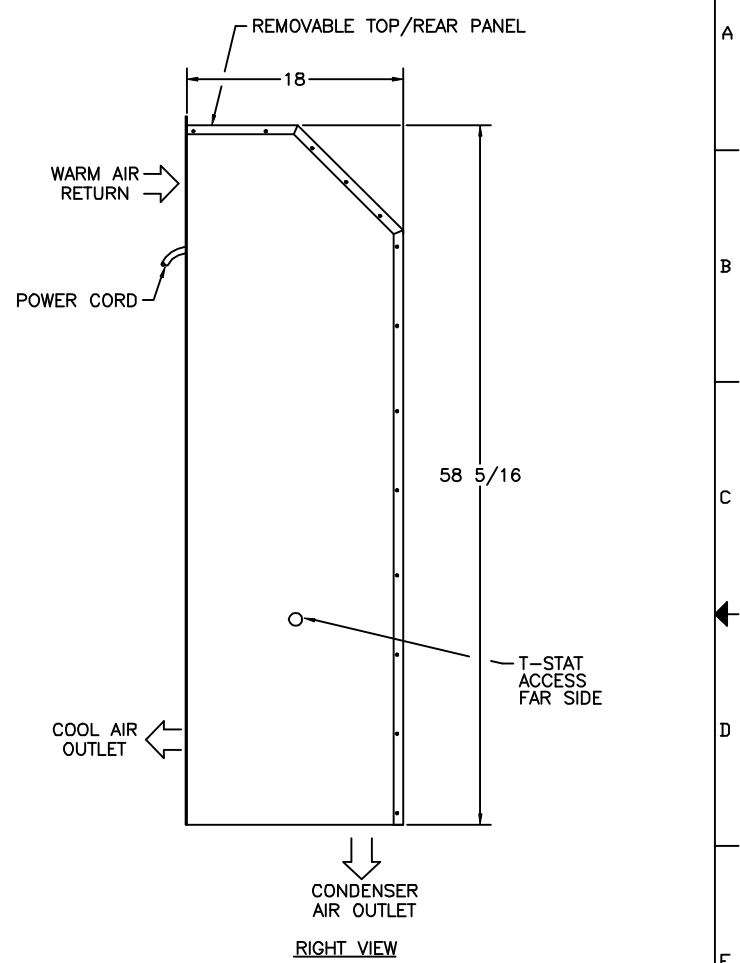
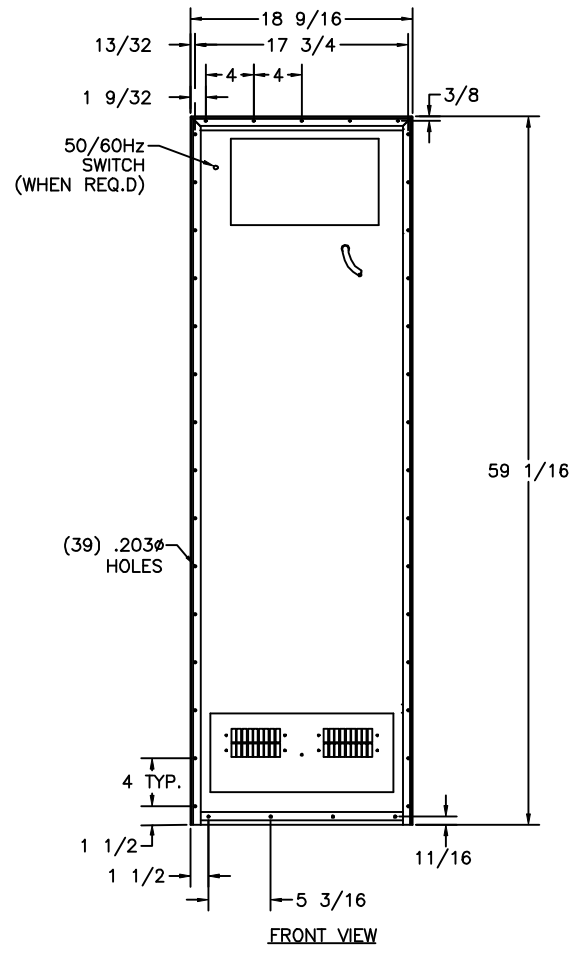
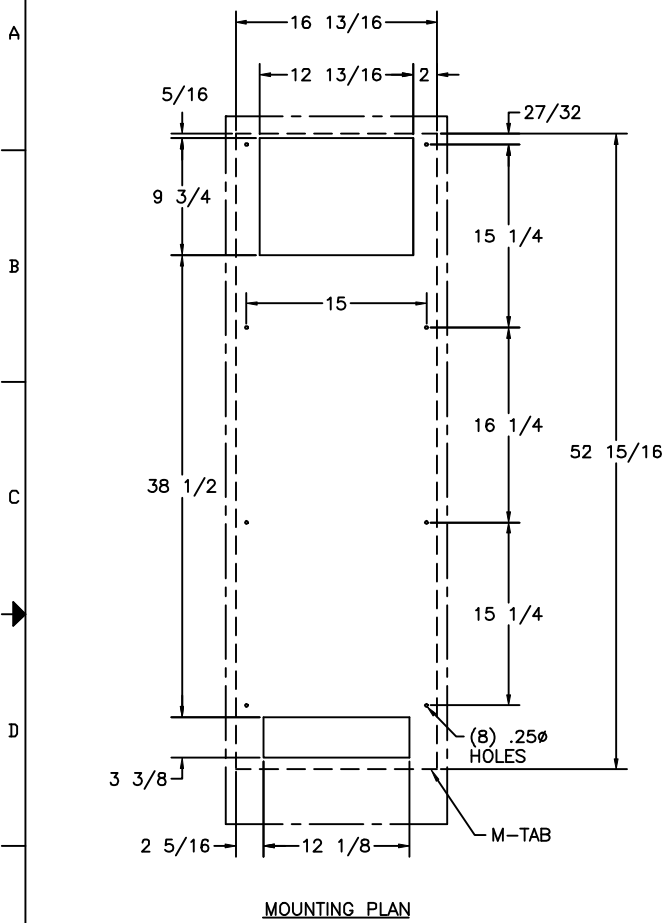


THIS DOCUMENT IS THE PROPERTY OF KOOLTRONIC, INC. AND CONTAINS PROPRIETARY AND CONFIDENTIAL INFORMATION WHICH MUST NOT BE DUPLICATED, USED OR DISCLOSED OTHER THAN AS EXPRESSLY AUTHORIZED BY KOOLTRONIC, INC.

REVISIONS				
SYM	NOTICE	DESCRIPTION	DATE	APPROVED
-	ER 94/272	NEW DRAWING RELEASE	7/13/94	MJM



ALL DIMENSIONS ARE IN INCHES. DIMENSIONS DESIGNATED MM ARE IN MILLIMETERS.			
UNLESS OTHERWISE SPECIFIED TOLERANCES NON-ACCUMULATIVE		DRAWN <i>MJM</i>	DATE 7/13/94
TOL. ON	INCHES	MM	CHECKED
.XX	± .02	±	ENG.
.XXX	± .010	±	MFG. ENG.
ANGULAR	± 1/2°		
MATERIAL	APPROVED		
UNIT KNA4C_P59	APPROVED		

KOOLTRONIC, INC.
HOPEWELL, NJ VENTURA, CA USA

TITLE
**GENERAL ARRANGEMENT
NEMA4 AIR CONDITIONER**

CODE IDENT. NO. 06223	SIZE C	DWG. NO. 604559-00-00	REV -
SCALE 1/8=1	CAD. REF. GA000143	SHEET 1 OF 1	