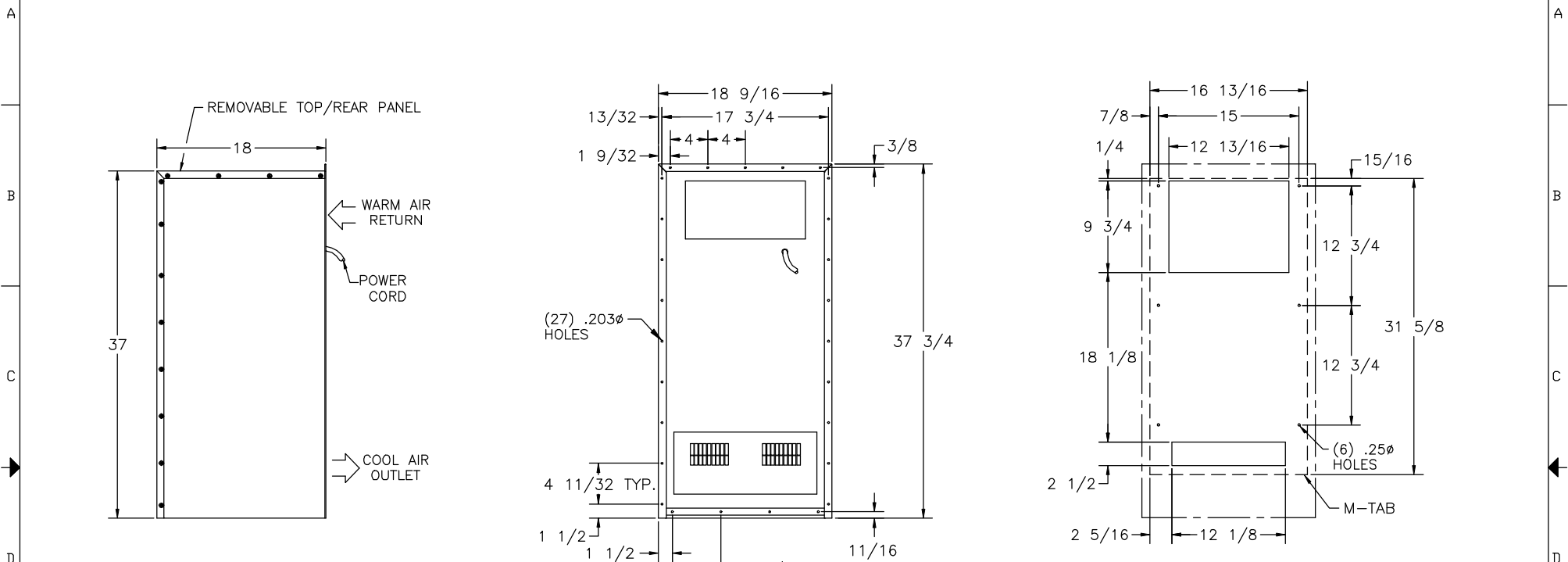


THIS DOCUMENT IS THE PROPERTY OF KOOLTRONIC, INC. AND CONTAINS PROPRIETARY AND CONFIDENTIAL INFORMATION WHICH MUST NOT BE DUPLICATED, USED OR DISCLOSED TO OTHERS, EXCEPT AS EXPRESSLY AUTHORIZED IN WRITING BY KOOLTRONIC INC.

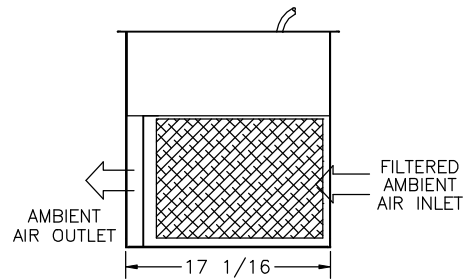
REVISIONS				
SYM	NOTICE	DESCRIPTION	DATE	APPROVED
-	ER 94/220	NEW DRAWING RELEASE	08/16/94	MJH



LEFT VIEW

FRONT VIEW

MOUNTING PLAN



BOTTOM VIEW

UNLESS OTHERWISE SPECIFIED TOLERANCES NON-ACCUMULATIVE				DATE
TOL.	ON	INCHES	MM	08/16/94
.XX	±	.02	±	
.XXX	±	.010	±	
ANGULAR			± 1/2°	



TITLE			
GENERAL ARRANGEMENT NEMA4 HEAT EXCHANGER			
CODE IDENT. NO.	SIZE	DWG. NO.	REV
06223	C	604538-00-48	-
SCALE	CAD. REF.	SHEET	1 OF 1
1/8=1	GA000152		

MATERIAL	APPROVED
UNIT	
KNHX38	