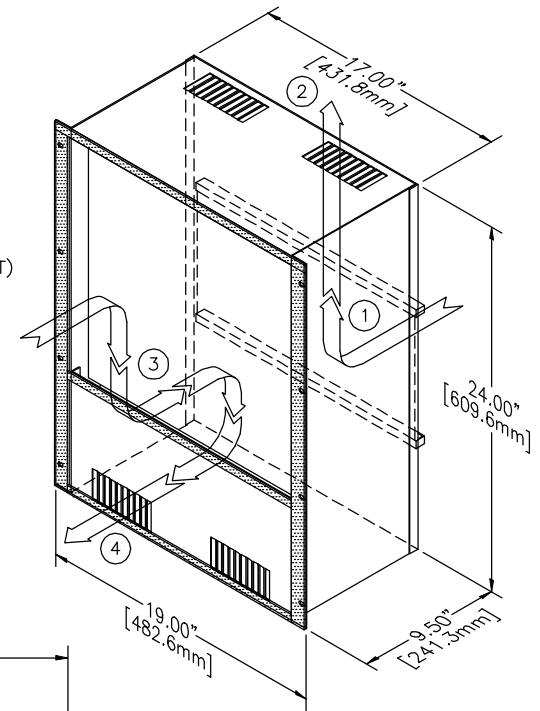
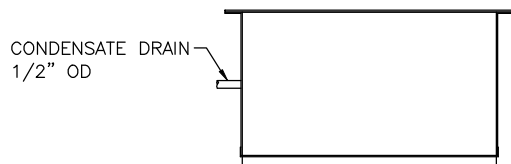
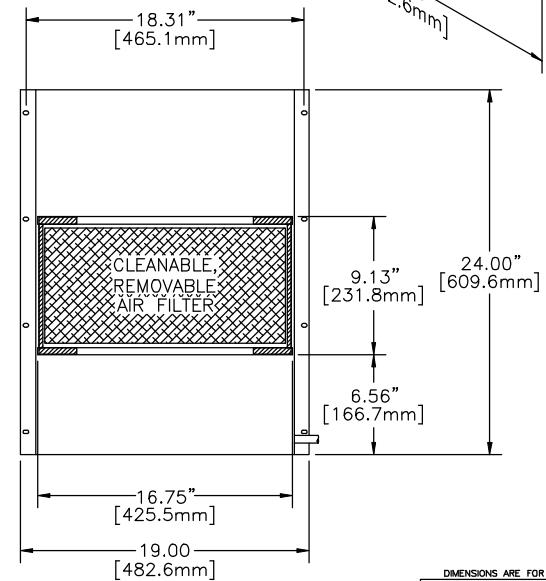
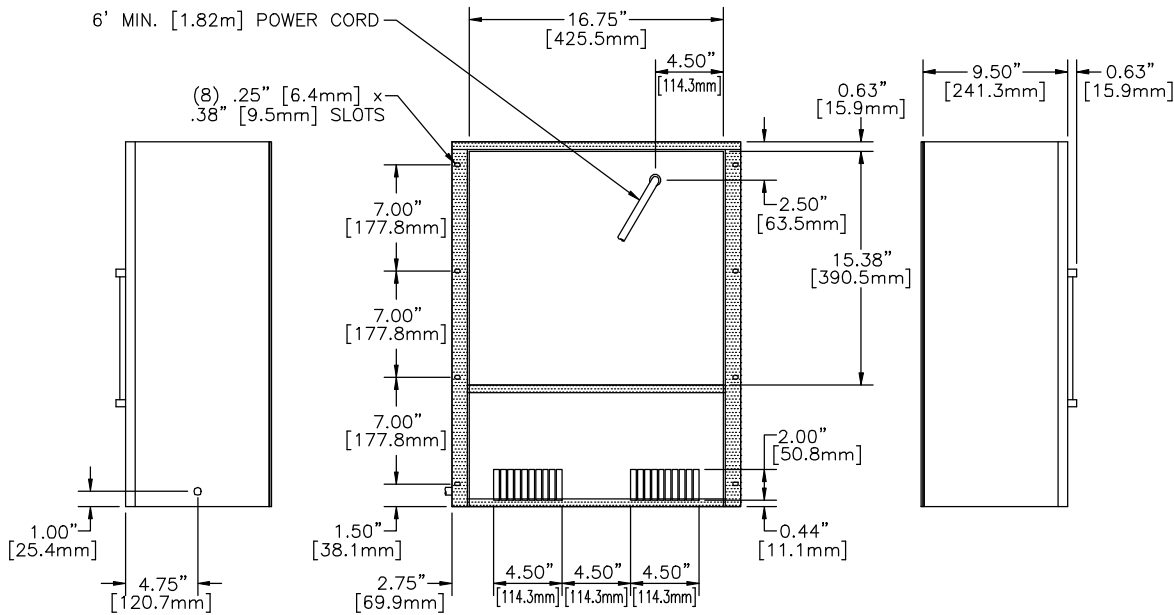


- ① CONDENSER INLET (AMBIENT AIR IN)
- ② CONDENSER OUTLET (WARM AMBIENT AIR OUT)
- ③ WARM AIR RETURN FROM ELECTRONICS
- ④ COOL AIR OUTLET TO ELECTRONICS



6' MIN. [1.82m] POWER CORD



DIMENSIONS ARE FOR REFERENCE ONLY AND SUBJECT TO CHANGE.



57 HAMILTON AVE., P.O. BOX 300
 HOPEWELL, NEW JERSEY 08525-0300
 TEL: 609-466-3400 FAX: 609-466-1114

KA4C_P24L
 MID-SIZE
 AIR CONDITIONER

7/25/95 PRINTED BY Bryan Zuber GAO00172 A

THIS DOCUMENT IS PROPERTY OF KOOLTRONIC, INC. AND CONTAINS PROPRIETARY AND CONFIDENTIAL INFORMATION WHICH MUST NOT BE DUPLICATED, USED OR DISCLOSED OTHER THAN AS EXPRESSLY AUTHORIZED BY KOOLTRONIC, INC.