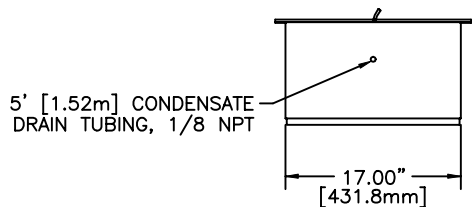
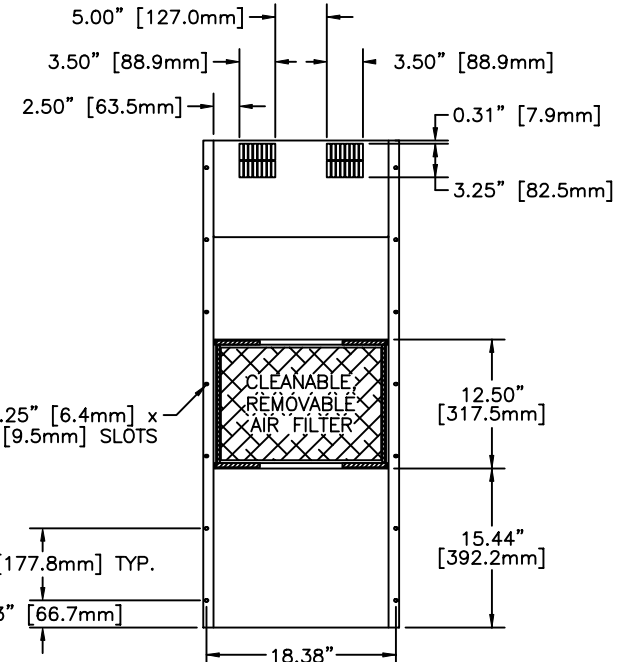
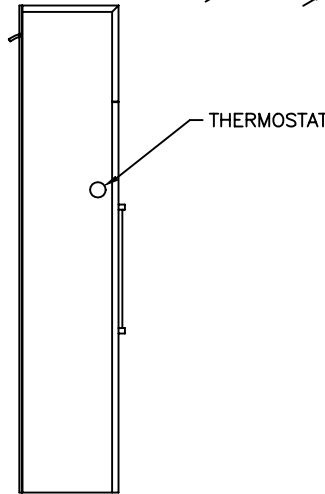
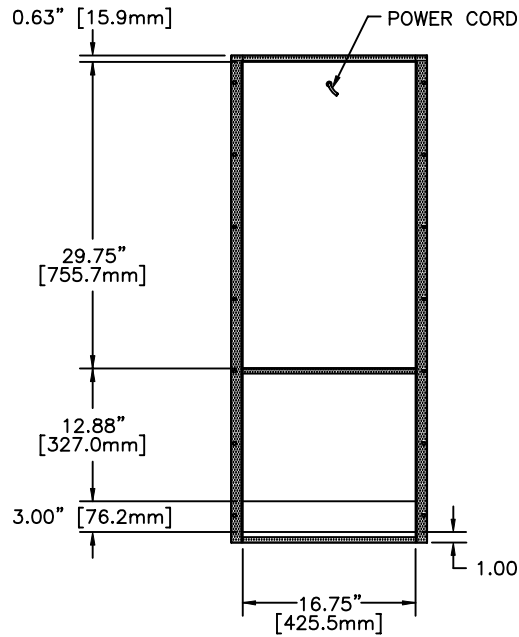


- ① CONDENSER INLET (AMBIENT AIR IN)
- ② CONDENSER OUTLET (WARM AMBIENT AIR OUT)
- ③ WARM AIR RETURN FROM ELECTRONICS
- ④ COOL AIR OUTLET TO ELECTRONICS



- SHIP LOOSE
- (14) 0427-57-01 10-32 X 1 WASHER/SCREW ASSY
 - (14) 0407-04 10-32 KEP NUTS
 - (1) KCD4/6A DRAIN KIT

DIMENSIONS ARE FOR REFERENCE ONLY AND SUBJECT TO CHANGE.



57 HAMILTON AVE., P.O. BOX 300
HOPEWELL, NEW JERSEY 08526-0300
TEL: 609-466-3400 FAX: 609-466-1114

KA4C_P47R
PANEL MOUNT
AIR CONDITIONER

7/10/95 TRACEY REYNOLDS GA000174 B

THIS DOCUMENT IS PROPERTY OF KOOLTRONIC, INC. AND CONTAINS PROPRIETARY AND CONFIDENTIAL INFORMATION WHICH MUST NOT BE DUPLICATED, USED OR DISCLOSED OTHER THAN AS EXPRESSLY AUTHORIZED BY KOOLTRONIC, INC.