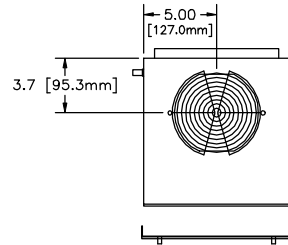
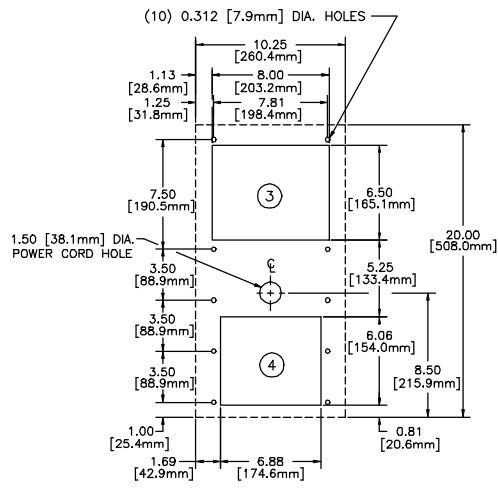
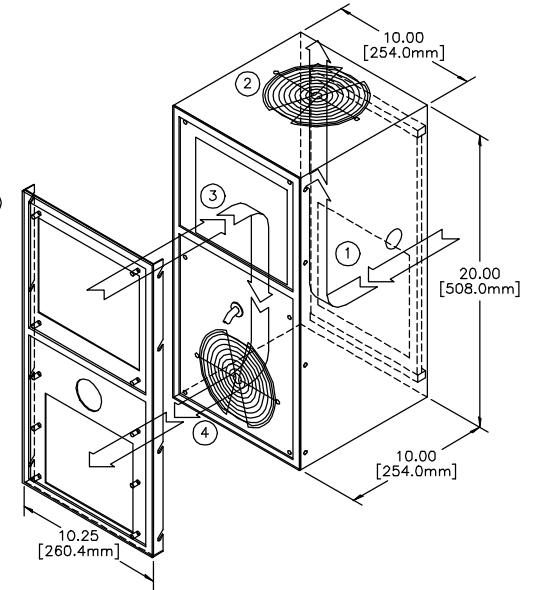


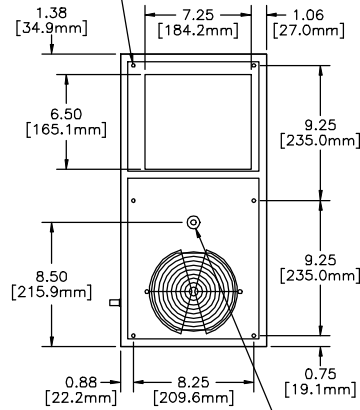
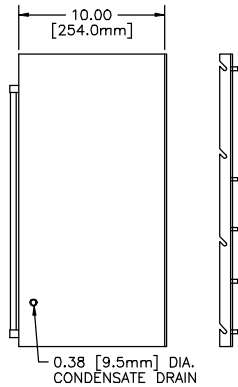
MOUNTING PLAN



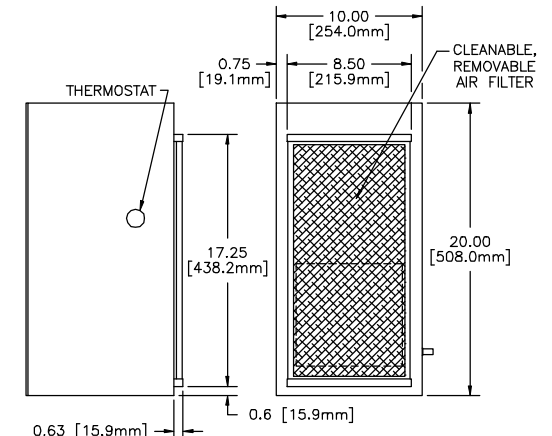
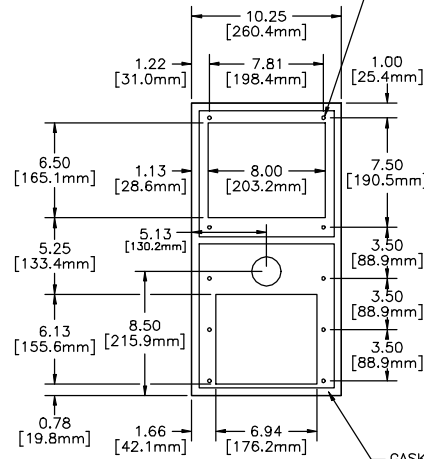
- ① CONDENSER INLET (AMBIENT AIR IN)
- ② CONDENSER OUTLET (WARM AMBIENT AIR OUT)
- ③ WARM AIR RETURN FROM ELECTRONICS
- ④ COOL AIR OUTLET TO ELECTRONICS



(6) 10-32 WELDNUTS
ALTERNATE MOUNTING HOLES



(10) 1/4-20 x 1/2 PRESS STUDS



6' MIN. [1.83m] POWER CORD

M-TAB DETAIL

GASKET MATERIAL



30 PENNINGTON-HOPEWELL ROAD, P.O. BOX 240
PENNINGTON, NEW JERSEY 08534-0240
TEL: 609-466-3400 FAX: 609-466-1114

GENERAL ARRANGEMENT
TRIMLINE NARROW-MINI AIR-COOLED
PANEL-MOUNTED AIR CONDITIONER
KA4C_._NML

DATE	DRAWN	B.Z.	DWG. NO.	REV.
8/11/95			GA000187	B

DIMENSIONS, INCHES [METRIC], ARE FOR REFERENCE ONLY AND SUBJECT TO CHANGE.

THIS DOCUMENT IS PROPERTY OF KOOLTRONIC, INC. AND CONTAINS PROPRIETARY AND CONFIDENTIAL INFORMATION WHICH MUST NOT BE DUPLICATED, USED OR DISCLOSED OTHER THAN AS EXPRESSLY AUTHORIZED BY KOOLTRONIC, INC.