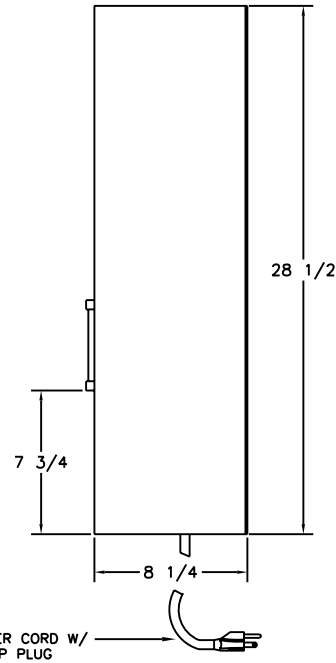
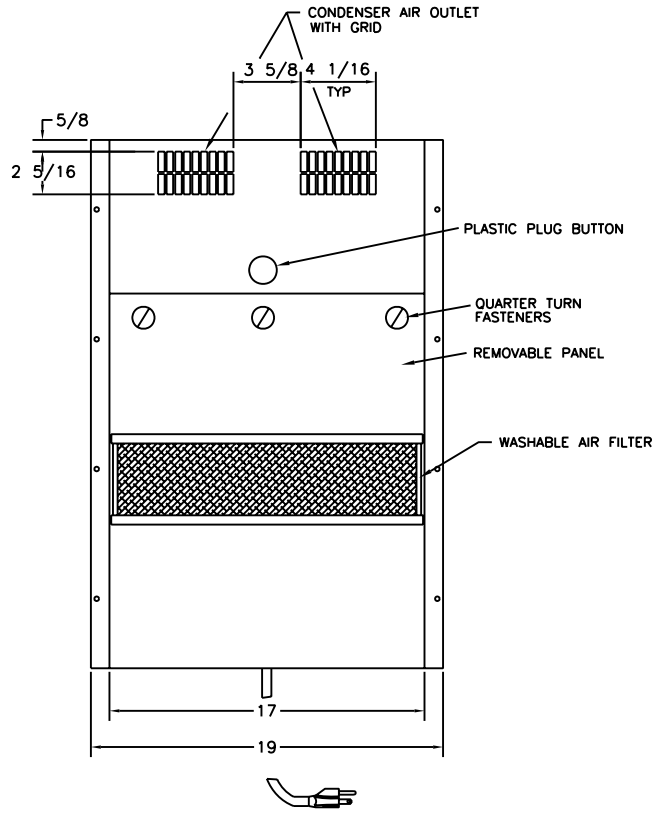
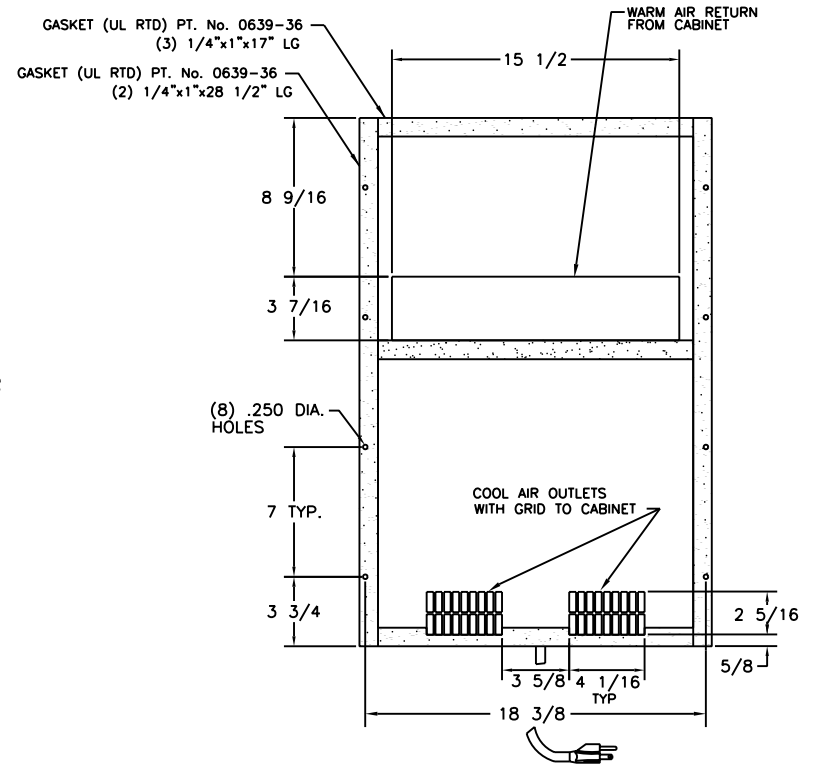


THIS DOCUMENT IS THE PROPERTY OF KOOLTRONIC, INC. AND CONTAINS PROPRIETARY AND CONFIDENTIAL INFORMATION WHICH MUST NOT BE DUPLICATED, USED OR DISCLOSED OTHER THAN AS EXPRESSLY AUTHORIZED BY KOOLTRONIC, INC.

REVISIONS		DATE	APPROVED
SYM	NOTICE	DESCRIPTION	
-	ECR 04/704	NEW DRAWING RELEASE	12/20/04 SDS



NOTE: 230V UNIT WITHOUT PLUG.



UNLESS OTHERWISE SPECIFIED TOLERANCES NON-ACCUMULATIVE			DRAWN	DATE	TITLE
TOL. ON	INCHES	MM	STEVE SCHMIERER	12/20/04	
.XX	± .02	±	CHECKED		
.XXX	± .010	±	ENG.		CODE IDENT. NO. 06223 SCALE 3/16=1
ANGULAR	± 1/2°		MFG. ENG.		
MATERIAL					REV -
UNIT K_XHE125A			APPROVED		SHEET 1 OF 1

**KOOLTRONIC, INC.**  
 HOPEWELL, NJ VENTURA, CA USA