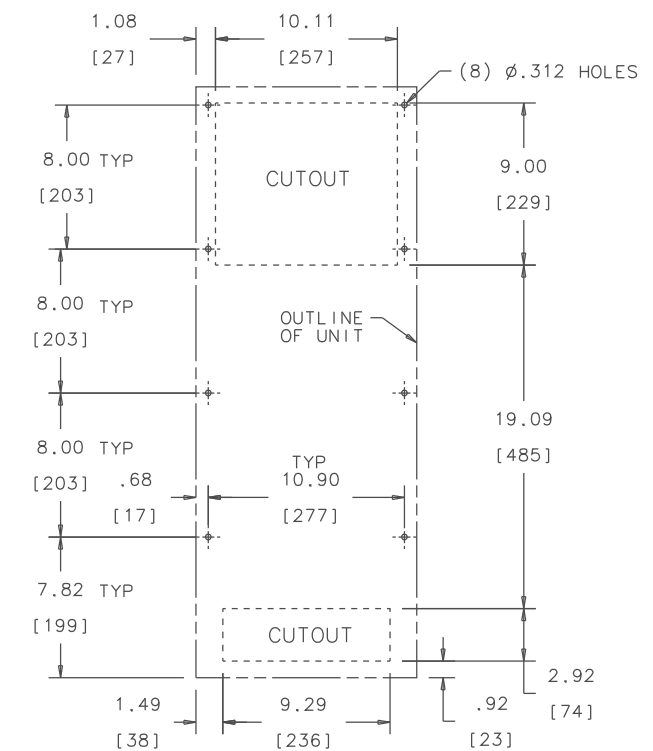
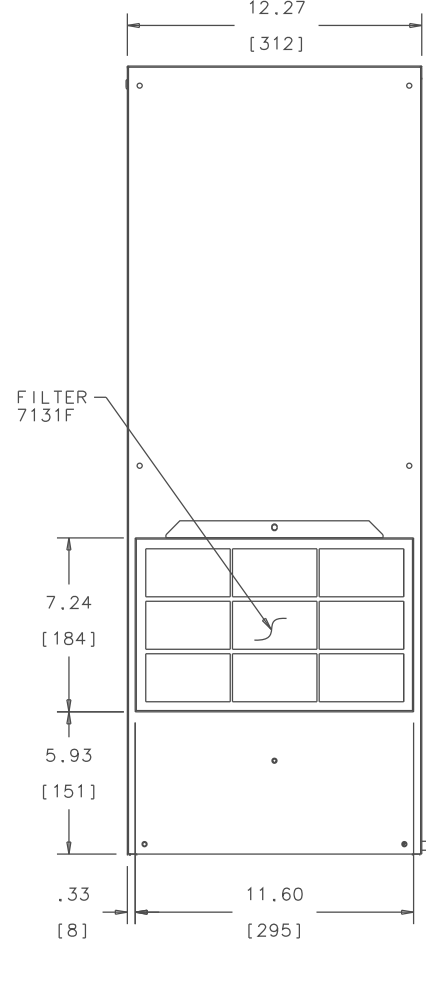
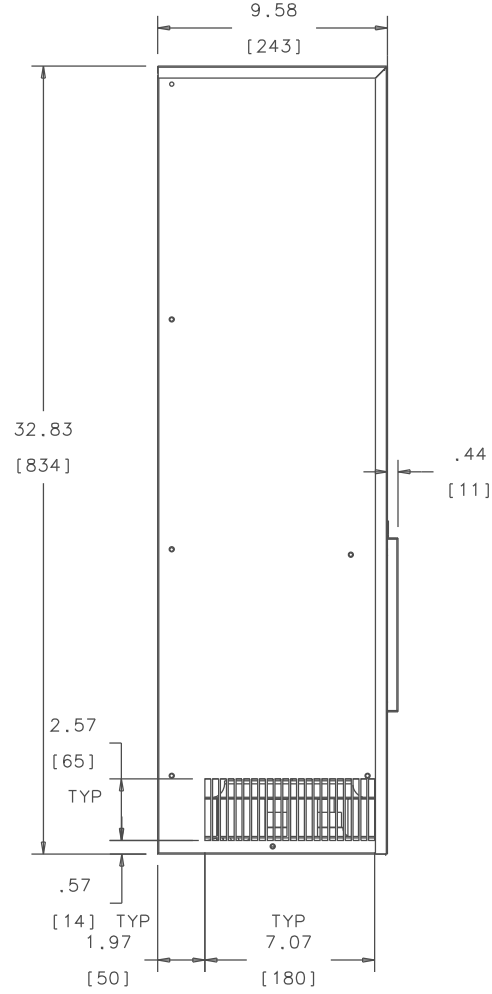
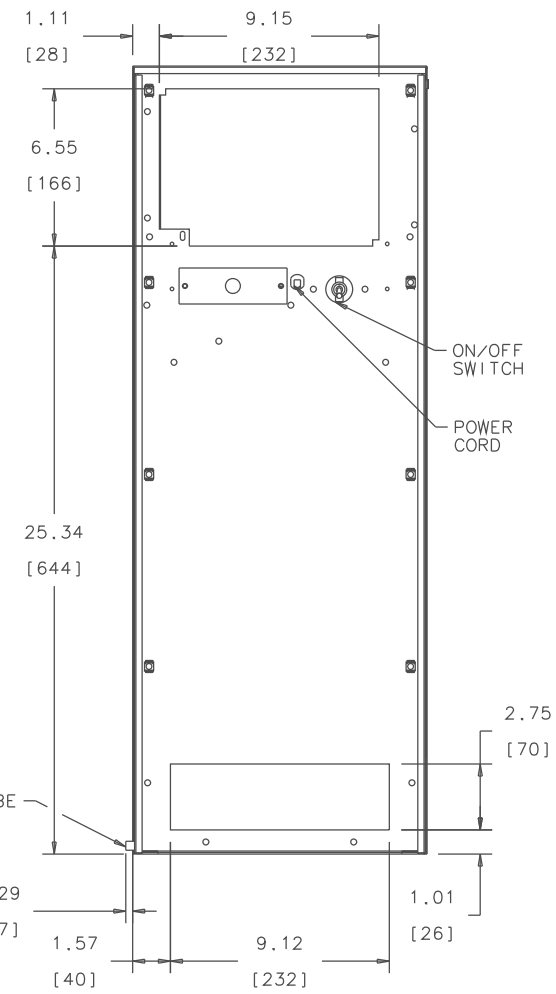
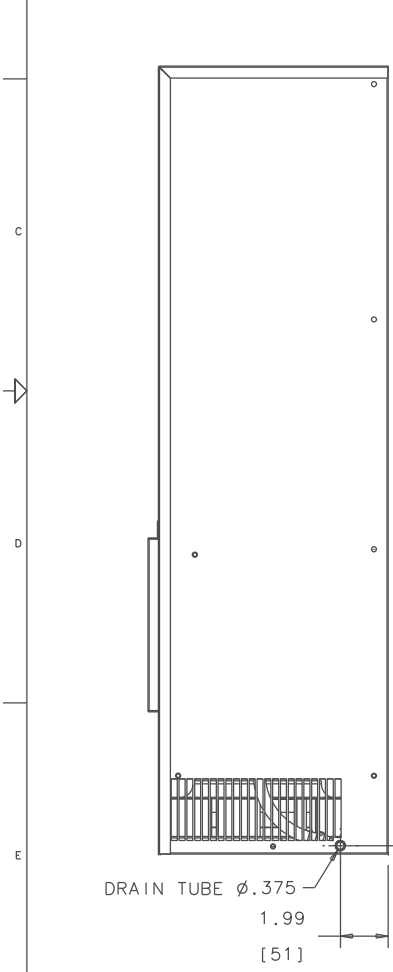
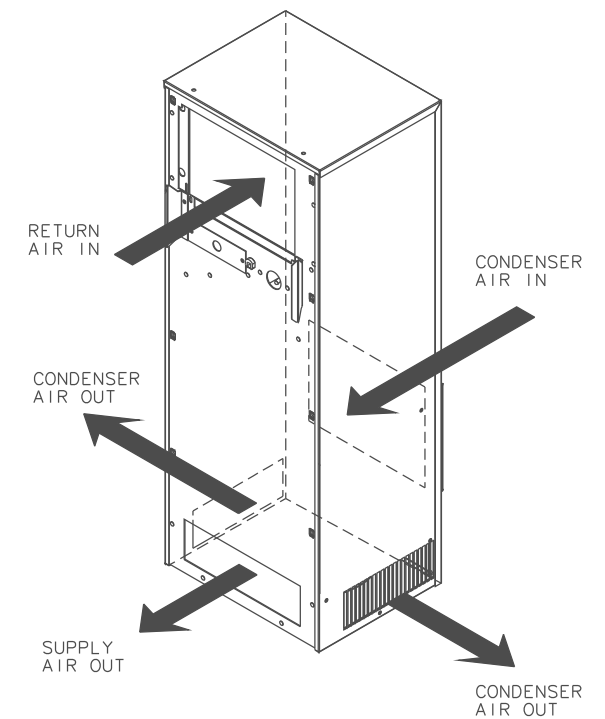
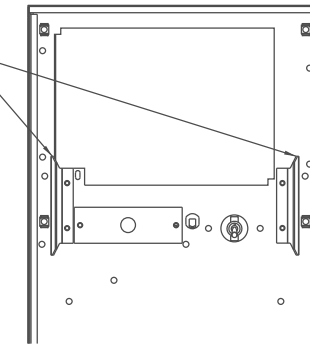
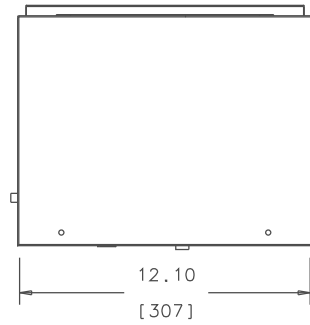


THIS DOCUMENT IS THE PROPERTY OF KOOLTRONIC, INC. AND CONTAINS PROPRIETARY AND CONFIDENTIAL INFORMATION WHICH MUST NOT BE DUPLICATED, USED OR DISCLOSED TO OTHERS, EXCEPT AS EXPRESSLY AUTHORIZED IN WRITING BY KOOLTRONIC, INC.

REVISIONS				
SYM	NOTICE	DESCRIPTION	DATE	APPROVED
-	ER 11/100	NEW DRAWING RELEASE	2/13/11	JS

CUSTOMER'S OPTION FOR EASE OF INSTALLATION:
INSTALL (2) PROVIDED HOOKS 250043-00-22GLV
USING (4) #10 TORX SCREWS



MOUNTING PLAN SCALE .1875=1

ALL DIMENSIONS ARE IN INCHES. DIMENSIONS DESIGNATED MM ARE IN MILLIMETERS. TOLERANCES NON-ACCUMULATIVE			DRAWN: JERRY STEDNICK CHECKED: Mike Mc Crohan ENG. Boris Muzikant MFG. ENG.		DATE: 12/13/11 01/10/12 1/11/12	 PENNINGTON, NJ USA	TITLE GENERAL ARRANGEMENT K_A6C4NPT33L
TOL. ON	INCHES	MM	MATERIAL	UNIT	APPROVED: Joe M/Bruce K DATE: 3/20/12		