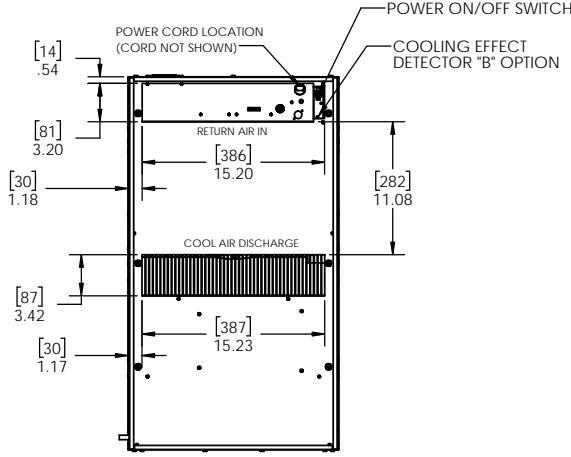
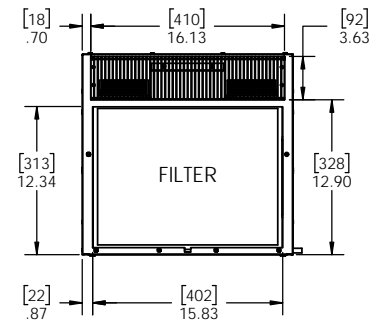
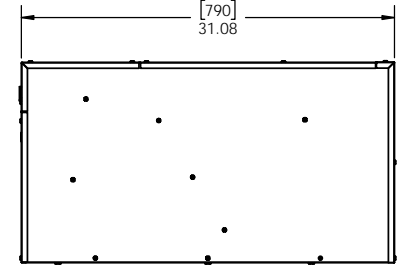
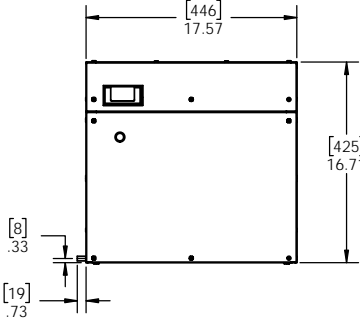
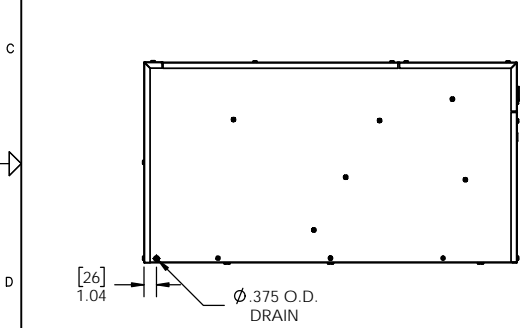
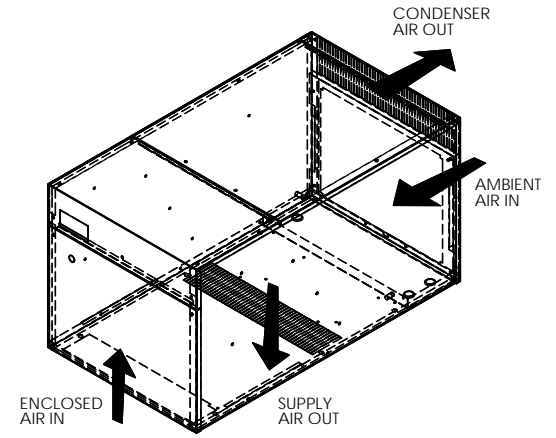
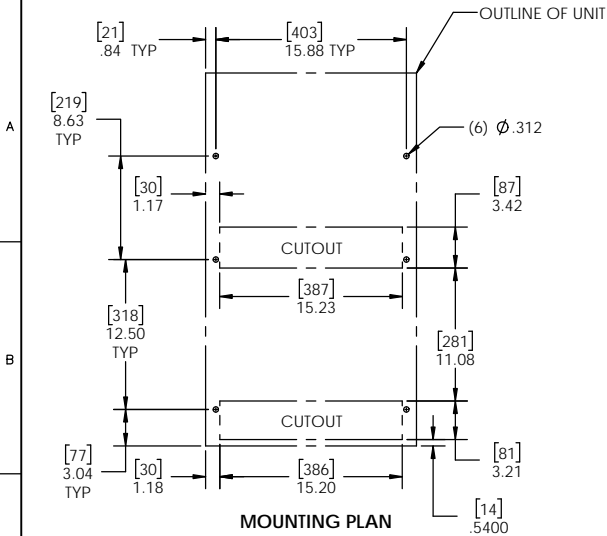



THIS DOCUMENT IS THE PROPERTY OF KOOLTRONIC, INC. AND CONTAINS PROPRIETARY AND CONFIDENTIAL INFORMATION WHICH MUST NOT BE DUPLICATED, USED OR DISCLOSED TO OTHERS, EXCEPT AS EXPRESSLY AUTHORIZED IN WRITING BY KOOLTRONIC, INC.

REVISIONS				
SYM	NOTICE	DESCRIPTION	DATE	APPROVED
-	ER 10/069	NEW DRAWING RELEASE	12/6/10	JS
A	EC 22/128	REDRAWN FOR SOLIDWORKS/ PICTORIALLY UPDATED	8/22/22	BR/SDS



UNLESS OTHERWISE SPECIFIED TOLERANCES NON-ACCUMULATIVE				DRAWN	B. RISPOLI	DATE	8/22/22
TOL. ON	INCHES	MM		CHECKED	MIKE MC CROHAN	DATE	9/7/22
.XX	± .02	±		ENG.	CESAR MENDEZ	DATE	8/26/22
.XXX	± .010	±		MFG. ENG.			
ANGULAR			± 1/2°				
MATERIAL				APPROVED	BKreeley	DATE	9/19/22
UNIT	K2A6C12HTL						



PENNINGTON, NJ USA

TITLE
GENERAL ARRANGEMENT

CODE IDENT. NO.	SIZE	DWG. NO.	REV
06223	C	GA20150A	A
SCALE .125=1	CAD. REF.	SHEET 1	OF 1