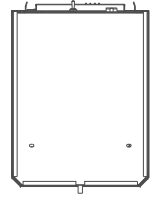
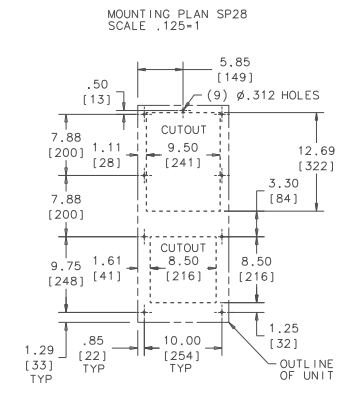
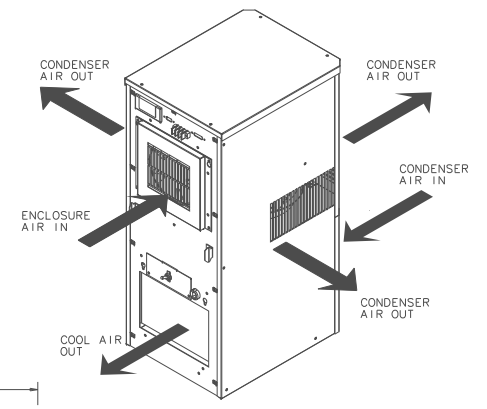
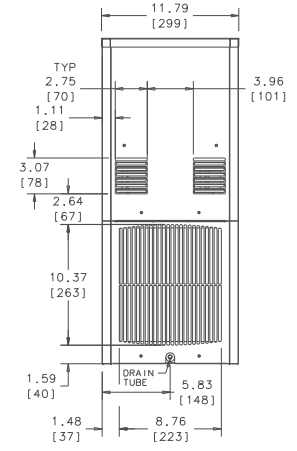
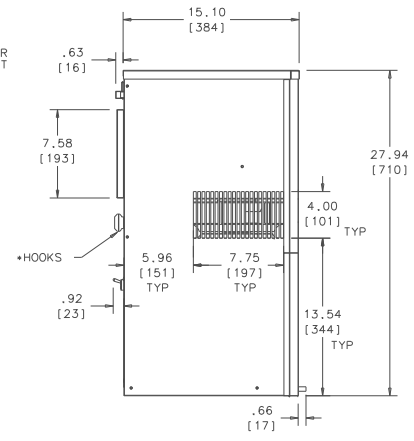
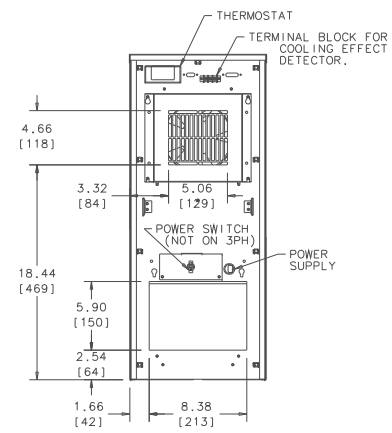
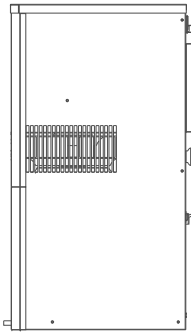


THIS DOCUMENT IS THE PROPERTY OF KOOLTRONIC, INC. AND CONTAINS PROPRIETARY AND CONFIDENTIAL INFORMATION WHICH MUST NOT BE DUPLICATED, USED OR DISCLOSED TO OTHERS, EXCEPT AS EXPRESSLY AUTHORIZED IN WRITING BY KOOLTRONIC, INC.

REVISONS		DATE	APPROVED
SW	NOTICE	DESCRIPTION	
-	ER 13/010	NEW DRAWING RELEASE	7/10/13 JS
A	EC 13/307	CHANGED EVAP. CUTOUT DIMS ON MOUNTING PLAN	10/21/13 JS
B	EC 13/451	LOWERS ON UPPER REAR PANEL, WAS SLOTS, DIMS. CHANGED	1/6/14 JS



*NOTE: (2) HOOKS ARE MOUNTED TO UNIT BY CUSTOMER

UNLESS OTHERWISE SPECIFIED TOLERANCES NON-DECIMALATIVE				DATE		TITLE
TOL. ON	INCHES	M	CHECKED	DATE	GENERAL ARRANGEMENT SP28L	
.XX	: .02	:	Steve Schmierer	7/12/13		
.XXX	: .010	:	Jim Distler	7/12/13	REV B	
ANGULAR	:	1/2	MFG. ENG.			
MATERIAL					CODE IDENT. NO. SIZE DWG. NO.	
UNIT SLIMKOOOL SP28L			APPROVED Joe M/Bruce K	7/19/13	06223 D GA202528A	
					SCALE: 1/875-1 CAD. REF. SHEET 1 of 1	

